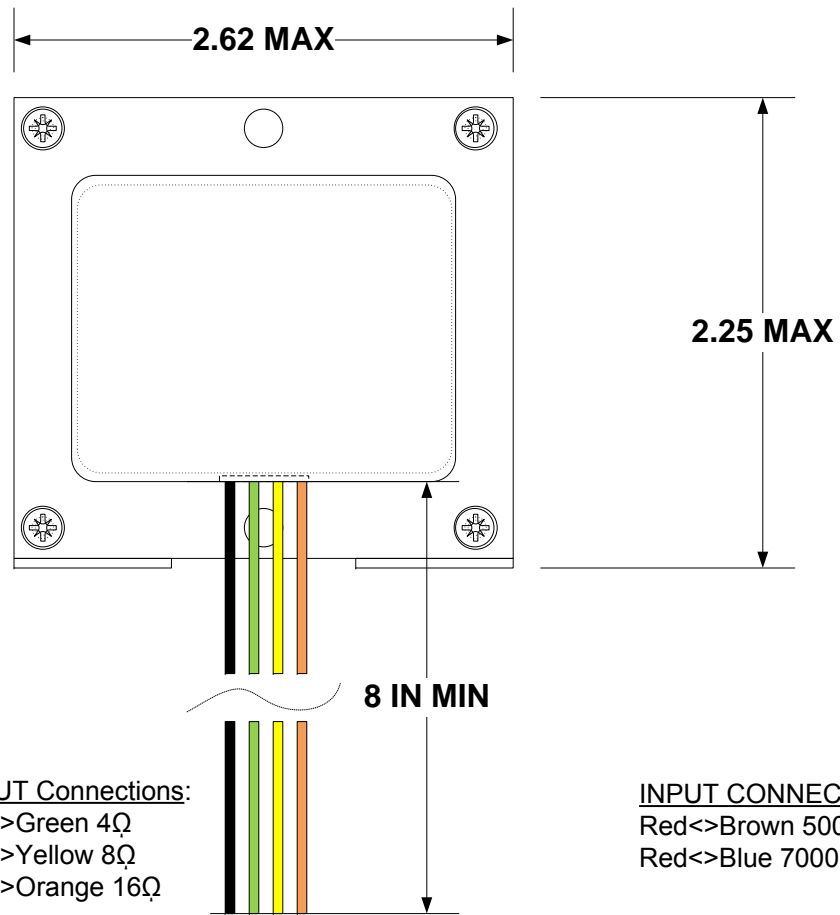
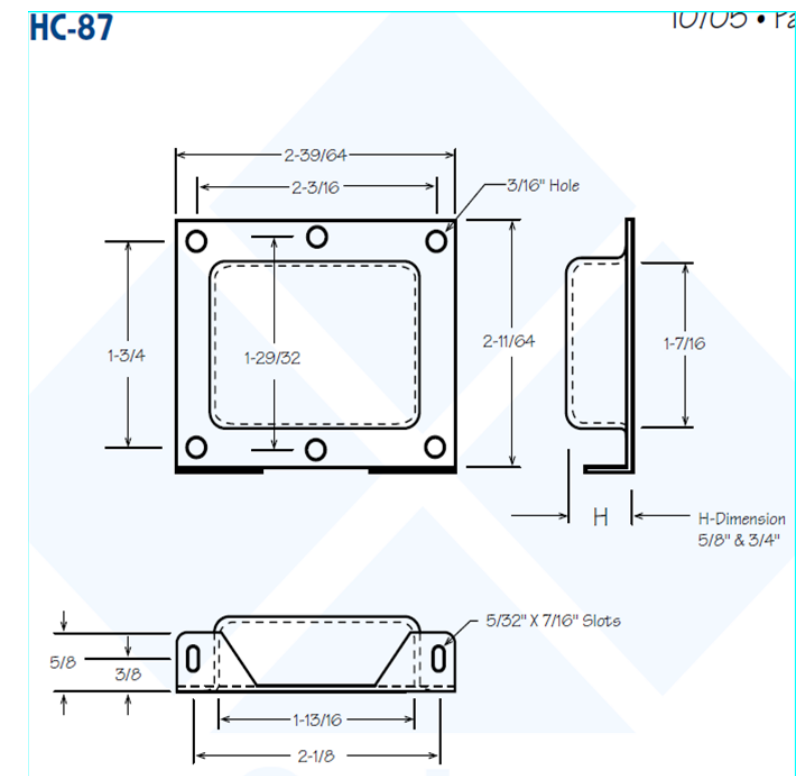
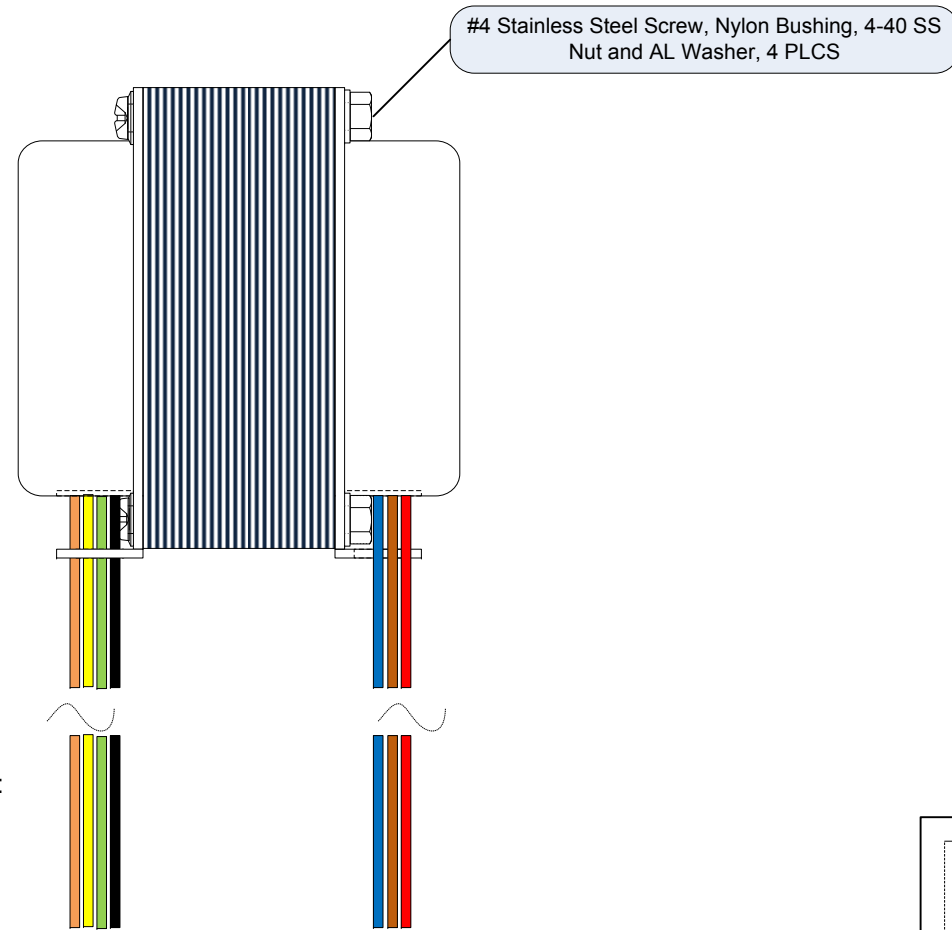


MUSICAL POWER SUPPLIES INC. OT10SE USA STANDARD- Transformer Specification

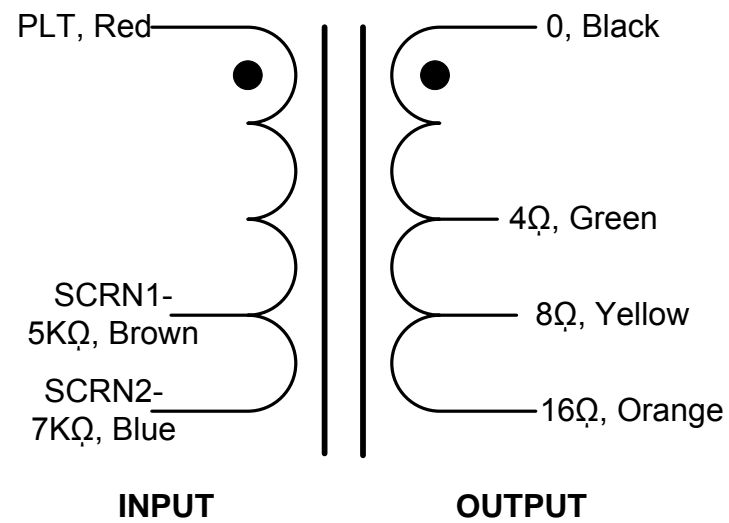


OUTPUT Connections:
 Black<>Green 4Ω
 Black<>Yellow 8Ω
 Black<>Orange 16Ω

INPUT CONNECTIONS:
 Red<>Brown 5000 ohm
 Red<>Blue 7000 ohm



Transformer Schematic, OT10SE

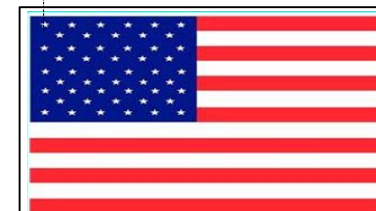
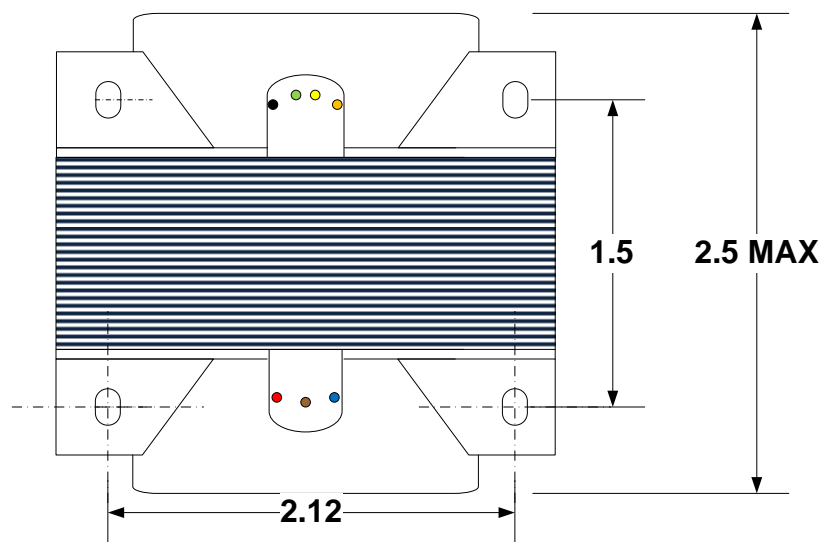


CONSTRUCTION DETAILS-

Laminations: 29M6 x EI-87
 Bobbin: EI-87 7/8 x 1 window, Nylon Glass Reinforced UL94V-0
 Magnet Wire: MW80 155C or higher
 Varnish- Class B 130C
 Tapes: 3M #56 (inner) & #79 (outer wrap)
 Covers: Bahr's USA 22GA Zinc Plated, HC-87
 Hardware: Non-Magnetic

PERFORMANCE

Operating Voltage 450Vdc Maximum
 Output Power: 12VA Maximum
 Maximum Recommended DC Bias Current: 60mADC
 Designed Operating Frequency (+/-1dB): 82 to 15000 Hz
 HiPot Test Ratings 1000Vac minimum
 Input Impedances: 5000 or 7000 Ohms
 Output Impedances: 4, 8 and 16 Ohms
 Application: Single-Ended Amplifiers EL84, 6V6, 6L6 Tubes 40 to 60mADC



OT10SE USA HC87 Covers

09/18/2017	SIZE B	FSCM NO	DWG NO OT10SE USA HC87	REV A
M.P.S.	SCALE 1 : 1		SHEET	Page 1 1 OF 1