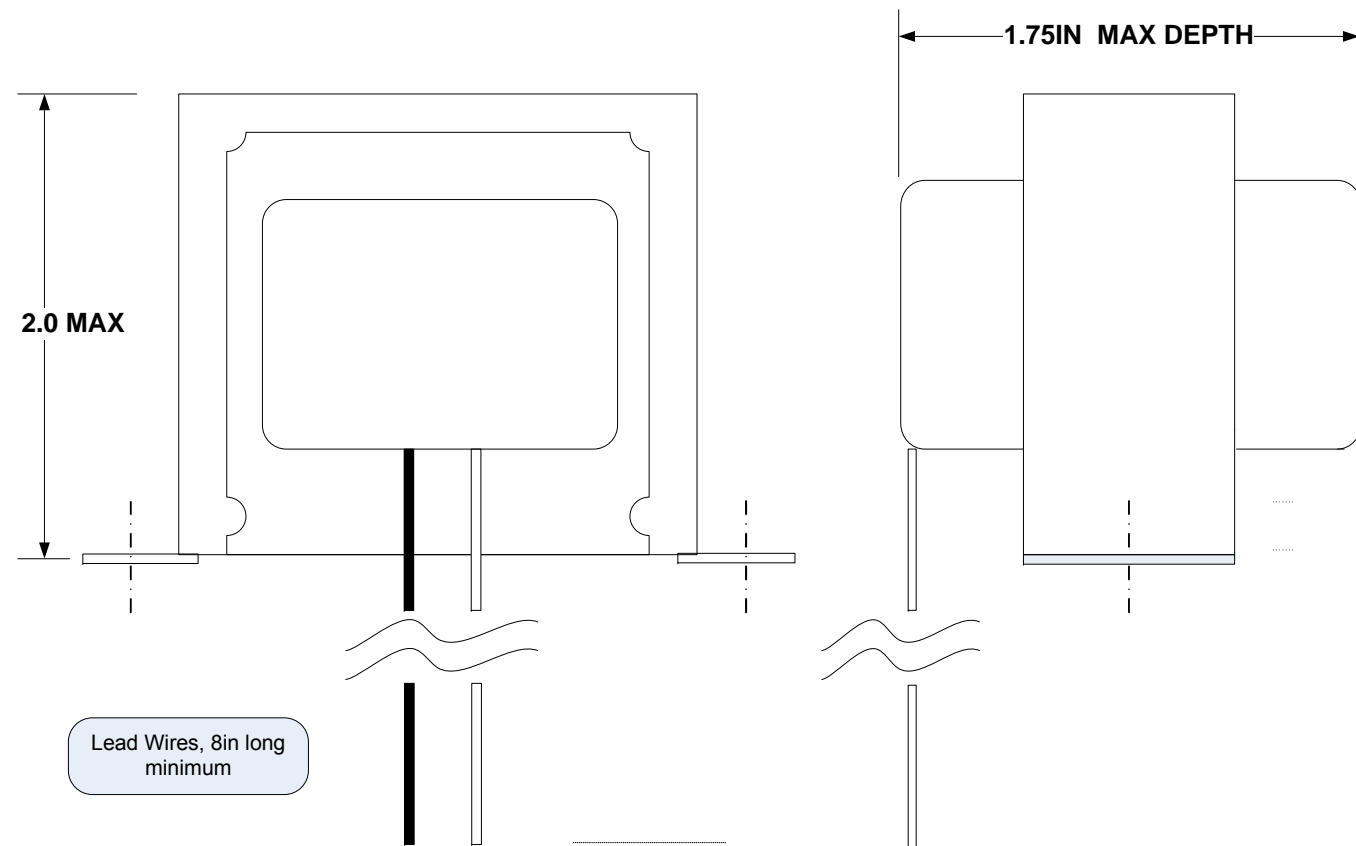
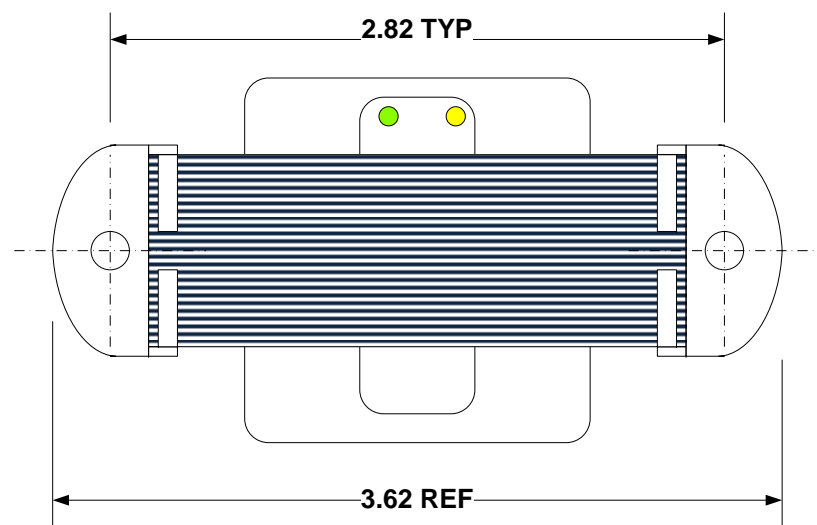


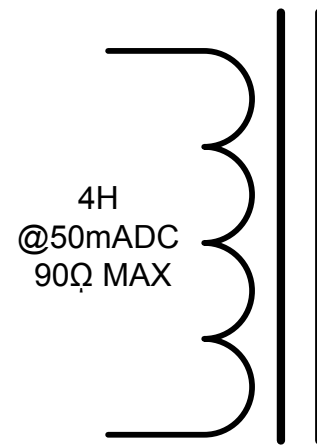
L4M50 USA



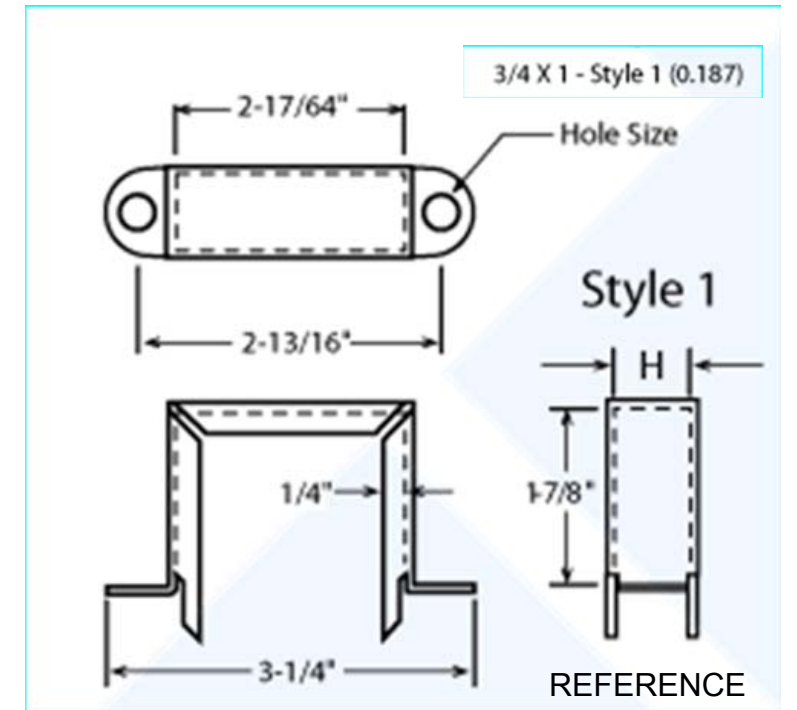
INPUT CONNECTIONS:
BLK – WHT



SCHEMATIC L4M50



INPUT



CONSTRUCTION DETAILS-

Laminations: 29M6 x EI-75
 Bobbin: EI-75 SQ window, Nylon Glass Reinforced UL94V-0
 Magnet Wire: MW80 155C or higher
 Varnish- Class B 130C
 Tapes: 3M #56 (inner) & #79 (outer wrap)
 Covers: Bahr's USA ETC, EI75 Frame and Shield, Fully Shielded Construction

PERFORMANCE

Operating Voltage 500Vac Maximum
 HiPot Test Ratings 1000Vac minimum
 Input Inductance: 5H NLC 4H at 50mA Typical
 Application: 5 to 25W Push-Pull Amplifiers for Power Supply Filtering



L4M50 USA

10/03/2013	SIZE B	FSCM NO	DWG NO L4M50 STD	REV A
M.P.S.	SCALE 1 : 1		SHEET	Page 1 1 OF 1