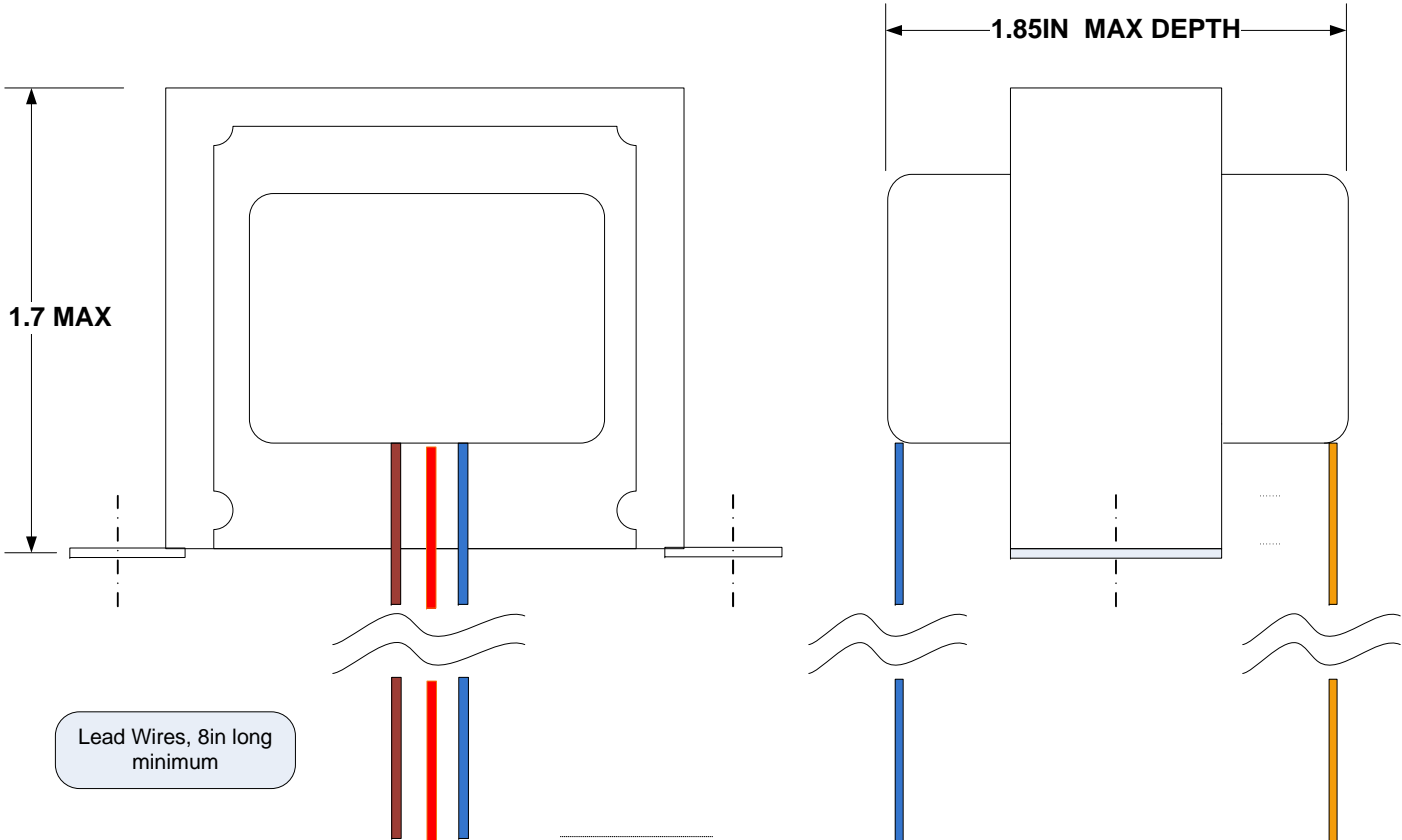
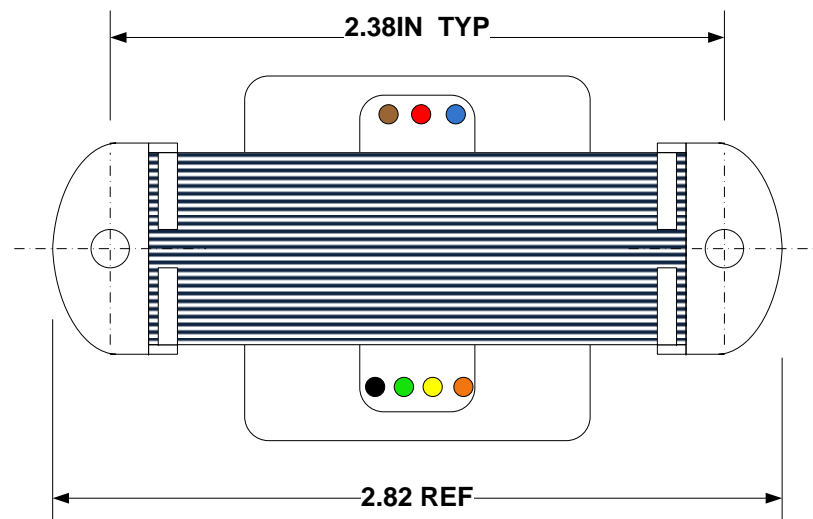


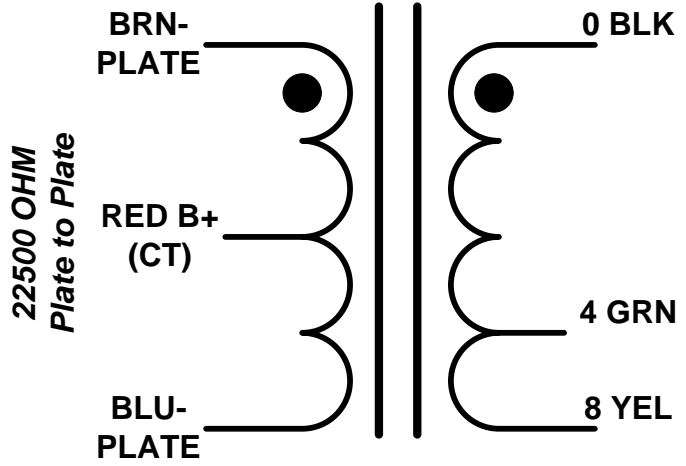
# OT2PP (USA) EI-62 Shielded Low Power Output Transformer



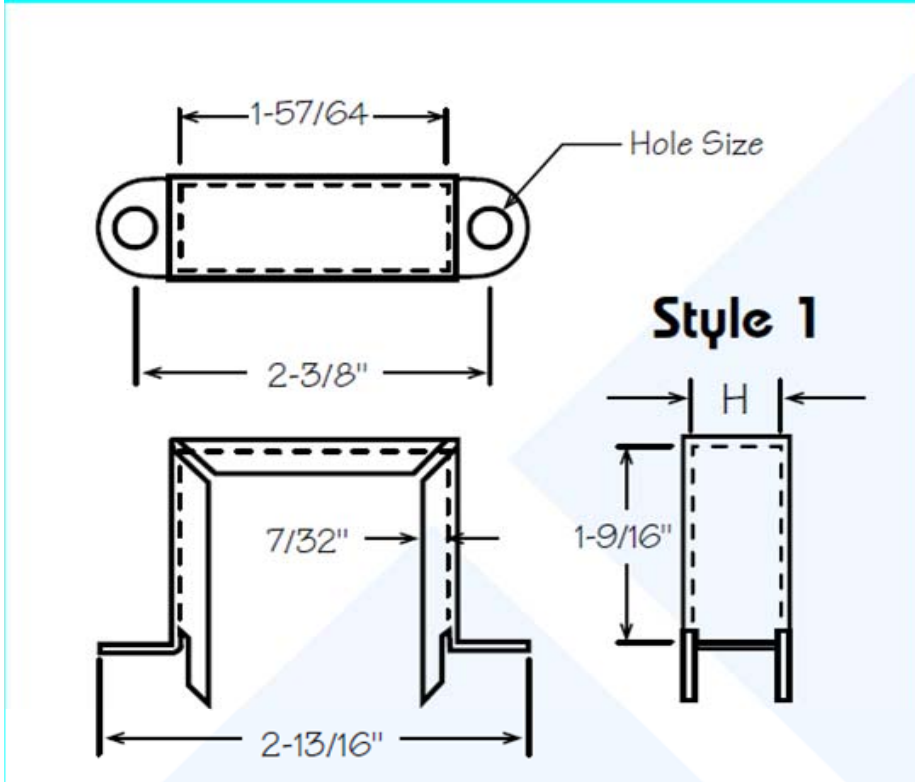
**INPUT CONNECTIONS:**  
BRN-RED-BLU 22AWG



### SCHEMATIC OT2PP (USA)



40 Henries Minimum  
@1VAc 100Hz



REFERENCE

"H" = 3/4"

**CONSTRUCTION DETAILS-**  
 Laminations: 29M6 x EI-62 x 3/4 IN STACK  
 Bobbin: EI-62 5/8" x 3/4" window, Nylon Glass Reinforced UL94V-0  
 Magnet Wire: MW80 155C or higher  
 Varnish- Class B 130C  
 Tapes: 3M #56 (inner) & #79 (outer wrap)  
 Frame: Bahr's USA ETC, 5/8 x 3/4 Frame and Shield, Fully Shielded Construction  
 Shields: 2 x SH-100 x 17/32DP EI62 coil covers in Tin Electroplate  
 Ship Wt= 13OZ

**PERFORMANCE**  
 Operating Voltage 500Vac Maximum  
 HiPot Test Ratings 1000Vac minimum  
 Input Inductance: 40H Minimum at 100HZ 1Vac

*Application: 0.5 to 2W Push-Pull Amplifiers*



## OT2PP USA

10/31/2014	SIZE B	FSCM NO	DWG NO OT5PP+	REV A
M.P.S.	SCALE	1 : 1	SHEET	Page 1 1 OF 1