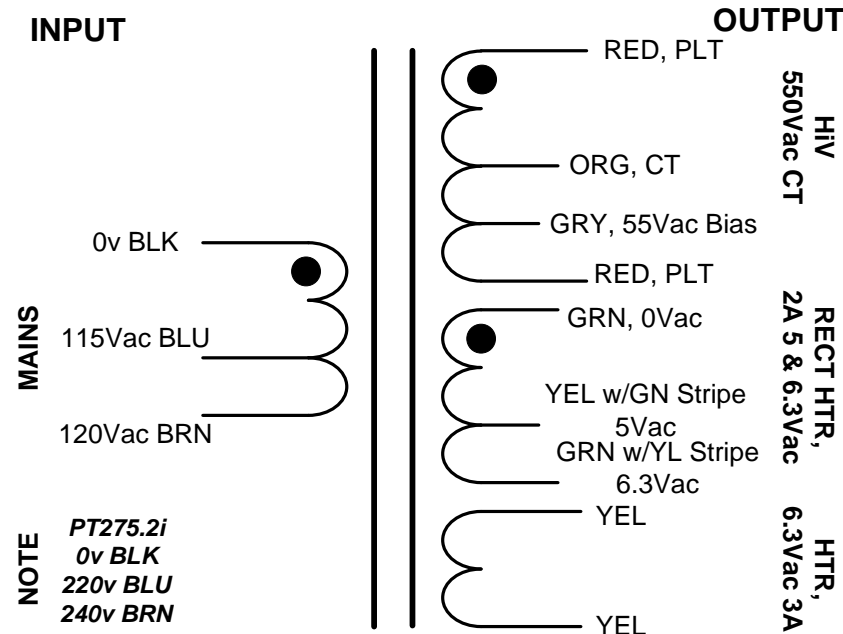


Transformer Schematic PT275.2 USA



NOTE PT275.2i
0v BLK
220v BLU
240v BRN

PT275.2 & PT275.2i USA Design Notes

Electrical Connections:
 BLACK-BLUE: 115Vac input
 BLACK-BROWN- 120Vac input
 RED-ORG-RED- 275-0-55-275VAc 100mA
 ORG-GRAY: 55Vac bias tap
 YEL-YEL 6.3Vac @3.0A no center-tap
 GREEN-YEL/GN-GRN/YL 0/5.0/6.3Vac @2A



(PT275.2i Version MAINS:BLK-BLU 220Vac & BLK-BRN 240Vac)

Construction Details:
 29M6 Lamination EI-100 in 1.4in stack
 Nyglass Bobbin 2-section UL94V-0 rated
 Class B Insulation system per US manufacturers UL File
 Shipping Weight 3.8 Lbs

Standard Covers- 2 x BAHRS (USA) FM100, Bright Zinc Plated
 Standard Hardware- 4 x #6 x 2in SS Screws, 4 x #6 Alum Washer,
 4 x #6 close nut, 4 x Nylon #6 spacer
 Lead Wires- UL 600V rated 20AWG

550Vac center-tapped power transformer@100mA.

Musical Power Supplies, Inc.

PT275.2 USA
(PT275.2i USA)

11/2/2014	SIZE B	FSCM NO	DWG NO PT275.2 USA EI100 Power Transformer	REV D
M.P.S.	SCALE	1 : 1	SHEET	Page 1 OF 1