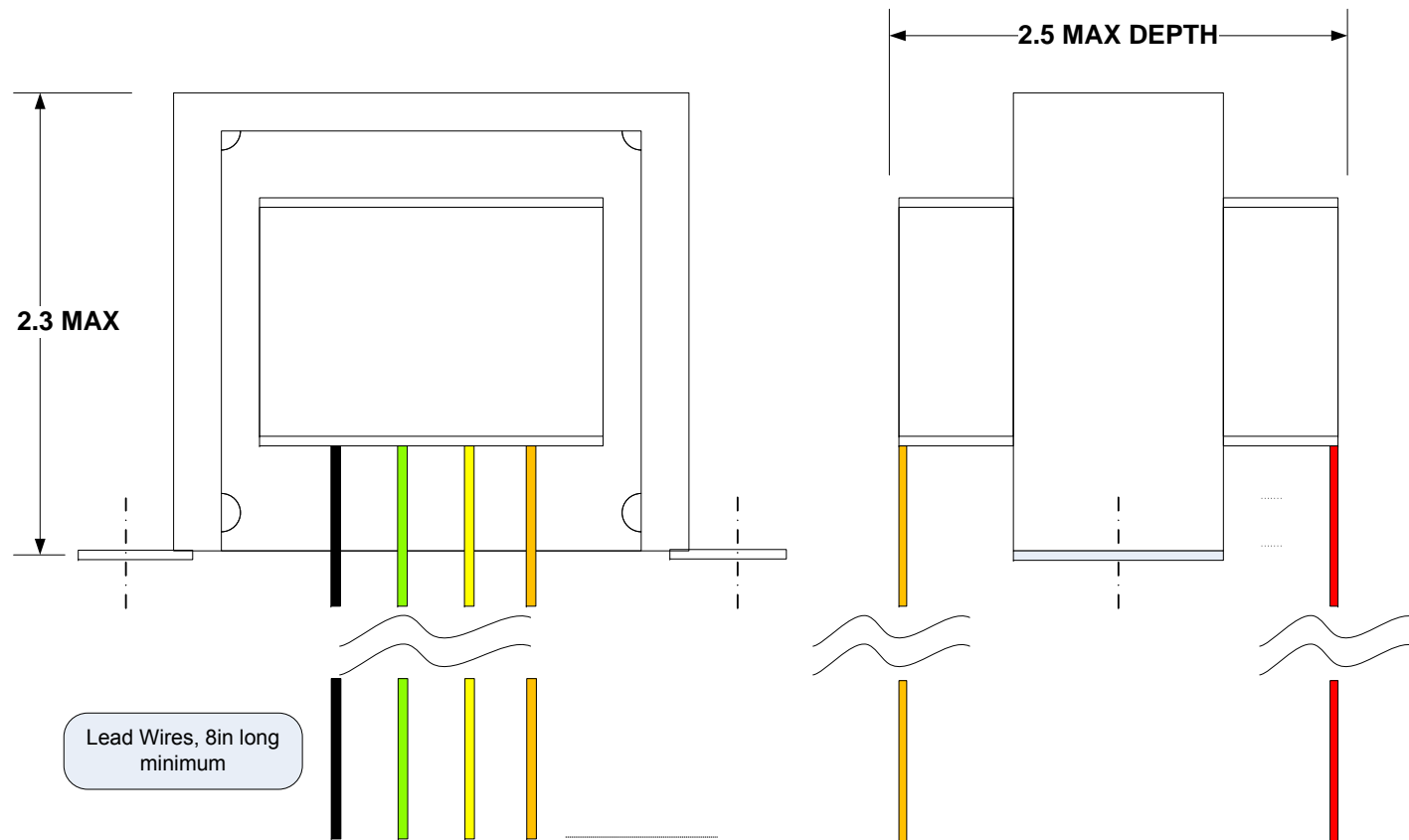
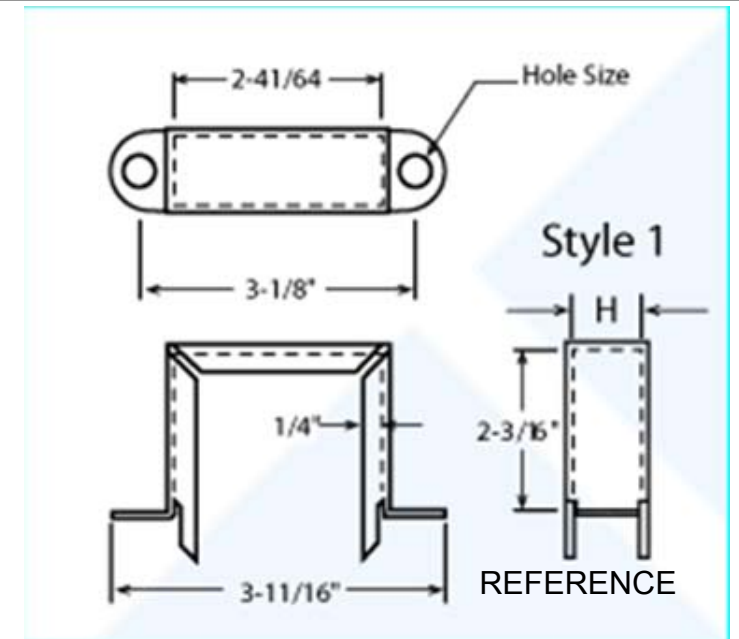


OT20PP USA Standard Version

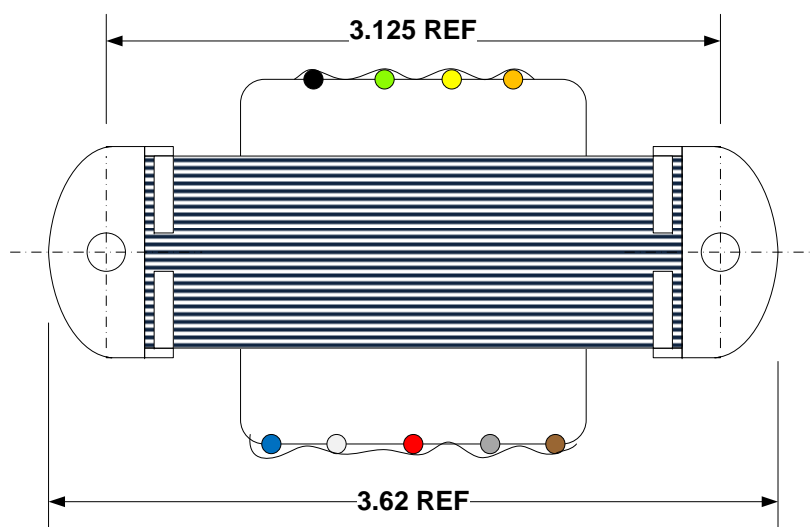


OUTPUT Connections:
 Black<->Green 4Ω
 Black<->Yellow 8Ω
 Black<->Orange 16Ω

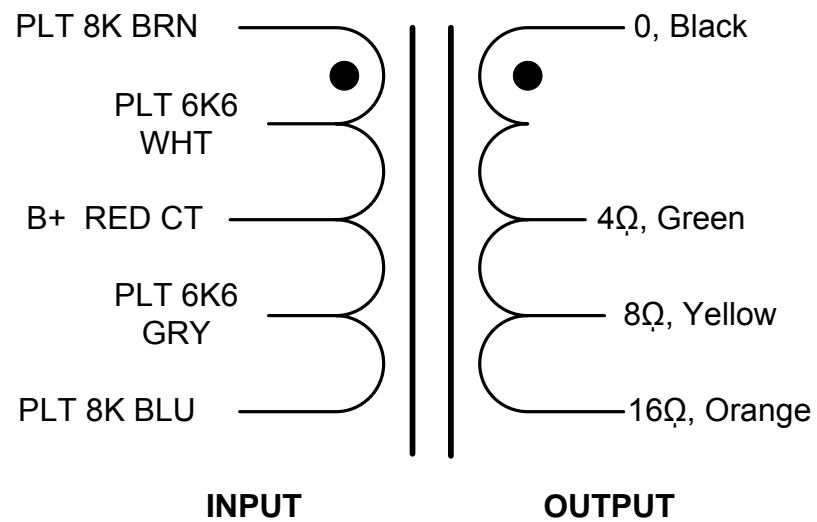
INPUT CONNECTIONS:
 BRN<->BLU 8000 ohm P-P
 WHT<->GRY 6600 ohm P-P
 RED is Center Tap



| Stack Height | Available Styles | | | | | | | Available Hole Sizes | A | H | |
|--------------|------------------|---|---|---|---|---|---|----------------------------------|---|-----|--------|
| | 1 | 2 | 3 | 4 | 5 | 6 | 7 | | | | |
| 1 | X | X | | | X | | | 0.149 0.156 0.187 0.281 | 5/32 X 3/8 Slots 3/16 X 9/32 Slots 3/16 X 11/32 Slots | 7/8 | 1-1/64 |



Transformer Schematic OT20PP USA

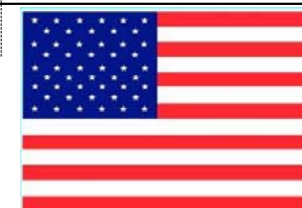


CONSTRUCTION DETAILS-

Laminations: 29M6 x EI-87
 Bobbin: EI-87 7/8 x 1 window, Nylon Glass Reinforced UL94V-0
 Magnet Wire: MW80 155C or higher
 Varnish- Class B 130C
 Tapes: 3M #56 (inner) & #79 (outer wrap)
 Frame: Bahr's USA Style 1- EI87 x 1
 Weight: 1.8 Lbs

PERFORMANCE

Operating Voltage 450Vdc Maximum
 Output Power: 25VA Maximum
 Designed Operating Frequency (+/-1dB): 82 to 15000 Hz
 HiPot Test Ratings 1000Vac minimum
 Input Impedances: 6600 or 8000 Ohms
 Output Impedances: 4,8 and 16 Ohms
 Application: 12 to 25W Push-Pull Amplifiers EL84 or 6V6



OT20PP USA STANDARD

| | | | | |
|------------|-----------|---------|--------------------------|------------------|
| 10/03/2013 | SIZE B | FSCM NO | DWG NO OT20PP USA STD | REV A |
| M.P.S. | SCALE | 1 : 1 | SHEET | Page 1 1 OF 1 |