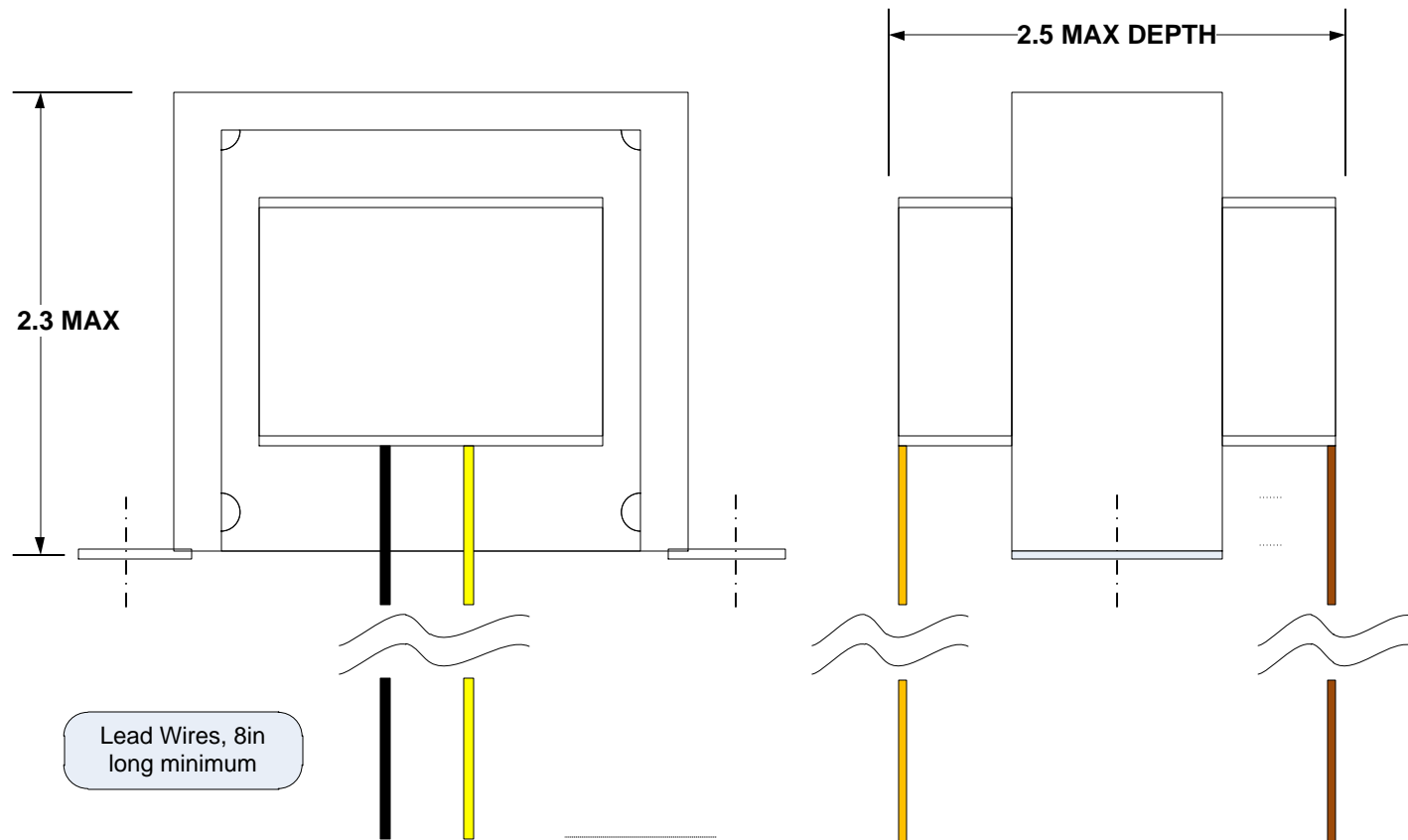


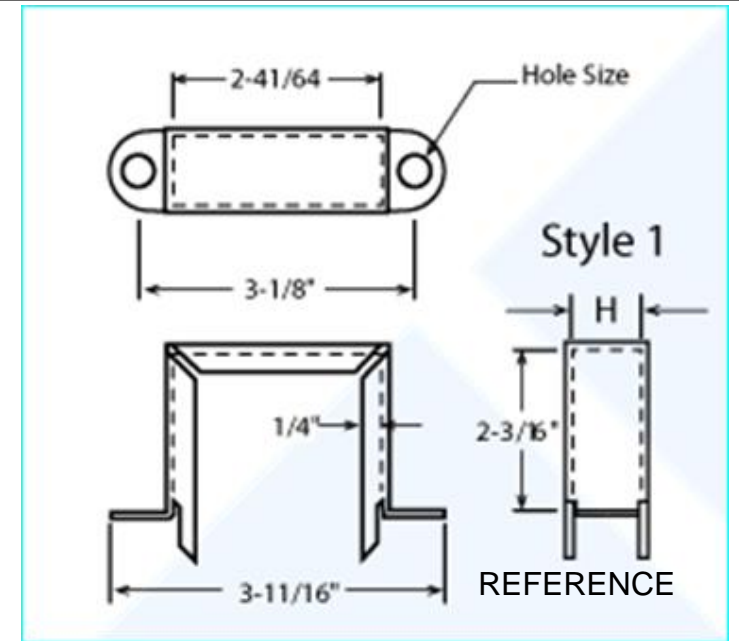
OT17PP USA Standard Version



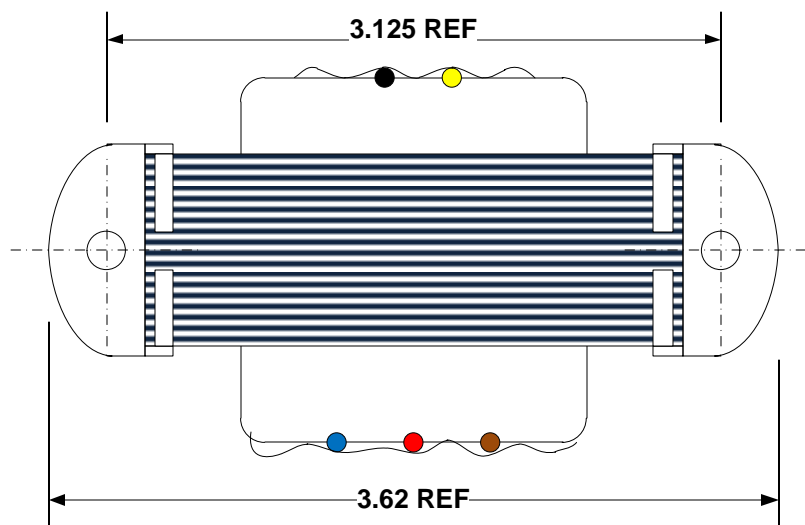
Lead Wires, 8in long minimum

OUTPUT Connections:
Black<->Yellow 8Ω

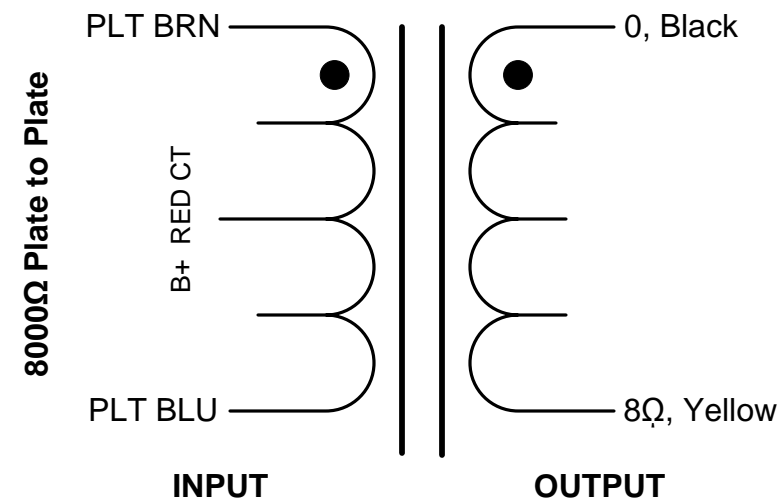
INPUT CONNECTIONS:
BRN<->BLU 8000 ohm P-P
RED is Center Tap



Stack Height	Available Styles							Available Hole Sizes	A	H	
	1	2	3	4	5	6	7				
1	X	X			X			0.149	5/32 X 3/8 Slots	7/8	1-1/64
							0.156	3/16 X 9/32 Slots			
							0.187	3/16 X 11/32 Slots			
							0.281				



OT17PP USA



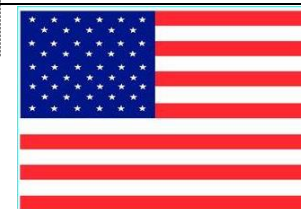
INPUT
Musical Power Supplies, Inc.

CONSTRUCTION DETAILS-

Laminations: 29M6 x EI-87
 Bobbin: EI-87 7/8 x 1 window, Nylon Glass Reinforced UL94V-0
 Magnet Wire: MW80 155C or higher
 Varnish- Class B 130C
 Tapes: 3M #56 (inner) & #56 (outer wrap)
 Frame: Bahr's USA Style 1- EI87 x 1
 Weight: 1.8 Lbs

PERFORMANCE

Operating Voltage 450Vdc Maximum
 Output Power: 22VA Maximum
 Designed Operating Frequency (+/-1dB): 60 to 15000 Hz
 HiPot Test Ratings 1000Vac minimum
 Input Impedances: 8000 Ohms Plate to Plate
 Output Impedances: 8 Ohms
 Application: 12 to 22W Push-Pull Amplifiers EL84 or 6V6



OT17PP USA STANDARD

10/03/2013	SIZE B	FSCM NO	DWG NO OT20PP USA STD	REV A
M.P.S.	SCALE 1 : 1		SHEET	Page 1 1 OF 1