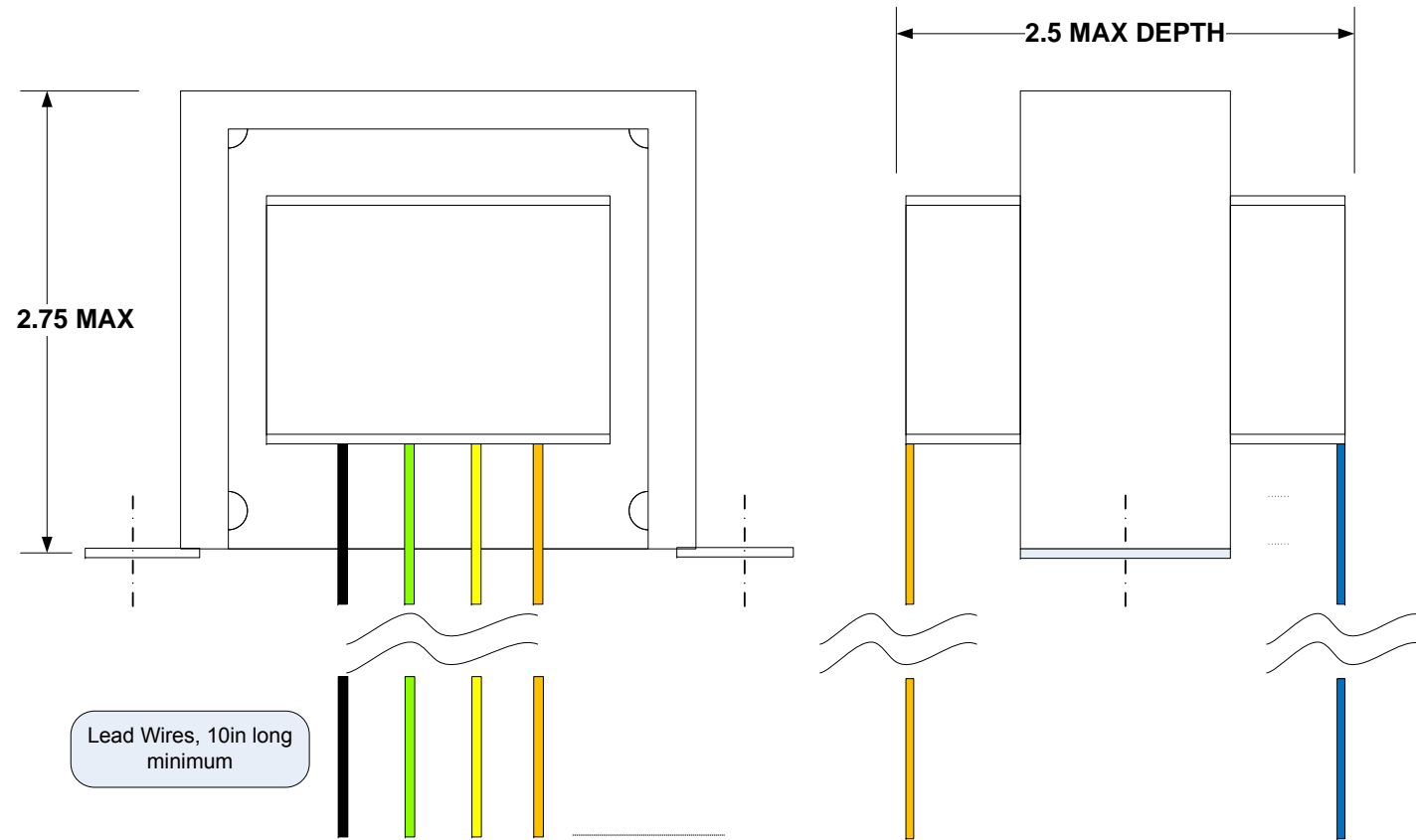
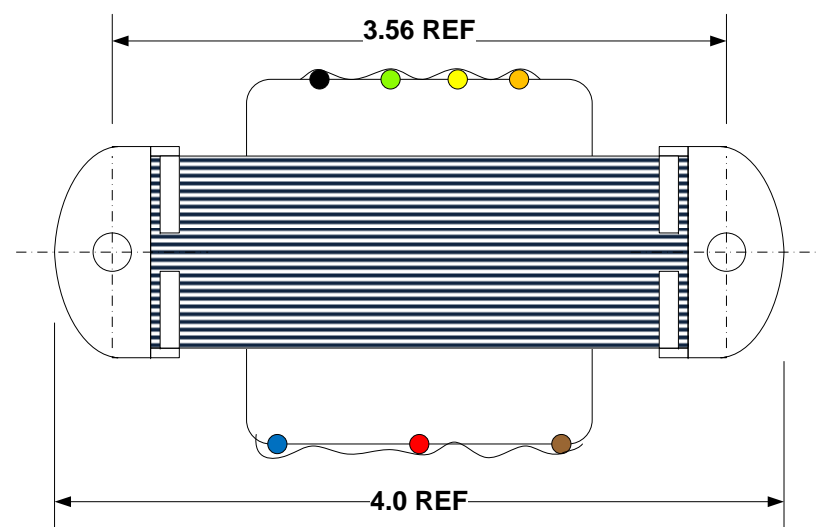


OT19PP USA Standard Version

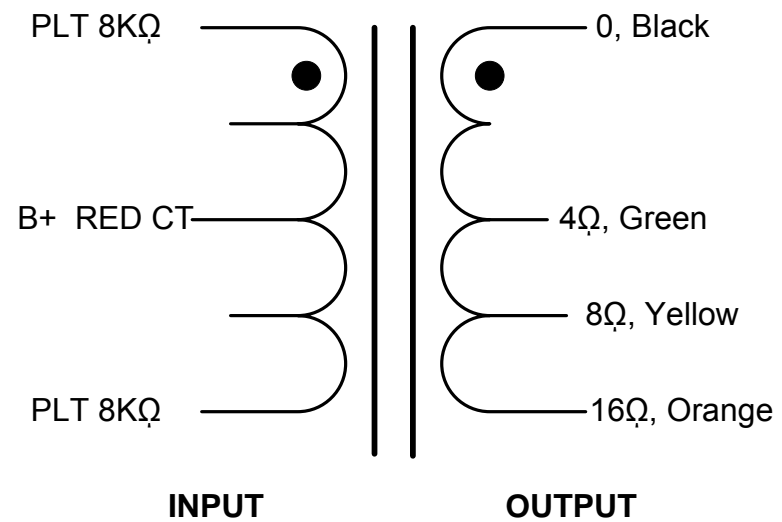


OUTPUT Connections:
 Black<->Green 4Ω
 Black<->Yellow 8Ω
 Black<->Orange 16Ω

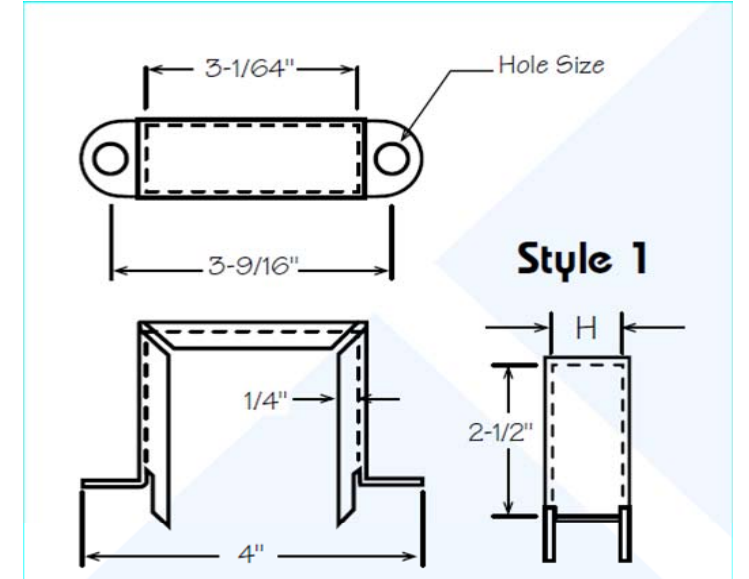
INPUT CONNECTIONS:
 BRN<->BLU 8000 ohm P-P
 RED is Center Tap



Transformer Schematic OT19PP



REF- BAHRS
 1 x 1-1/8"
 STACK Frame



Stack Height	Available Styles							Available Hole Sizes	R	H
	1	2	3	4	5	6	7			
3/4	X							0.187 3/16 X 9/32 Slots	3/4	25/64
1	X	X			X			0.133 0.187 0.312 0.149 0.213 #8 Extru 0.156 0.250 13/64 X 5/16 Slots	7/8	1-1/64
1-1/8	X	X			X			0.187 3/16 X 9/32 Slots	1	1-9/64

CONSTRUCTION DETAILS-

Laminations: 29M6 x EI-100
 Bobbin: EI-100 1 x 1.125 stack, Nylon Glass Reinforced UL94V-0
 Winding: 5 layer interleave, 3X perfect layer output windings
 Magnet Wire: MW80 155C or higher
 Varnish- Class B 130C
 Tapes: 3M #56 (inner) & #79 (outer wrap)
 Frame: Bahr's USA Style 1- EI100 x 1.125
 Weight: 2.5 Lbs

PERFORMANCE

Operating Voltage 450Vdc Maximum
 Output Power: 22VA Maximum
 Designed Operating Frequency (+/-1dB): 35 to 15000 Hz
 HiPot Test Ratings 1000Vac minimum
 Input Impedances Plate to Plate: 8000 Ohms
 Output Impedances: 4,8 and 16 Ohms
 Application: 15 to 20W Push-Pull Amplifiers EL84



OT19PP USA STANDARD

05/04/2014	SIZE B	FSCM NO	DWG NO OT19PP USA STD	REV D
M.P.S.	SCALE 1 : 1		SHEET	Page 1 1 OF 1