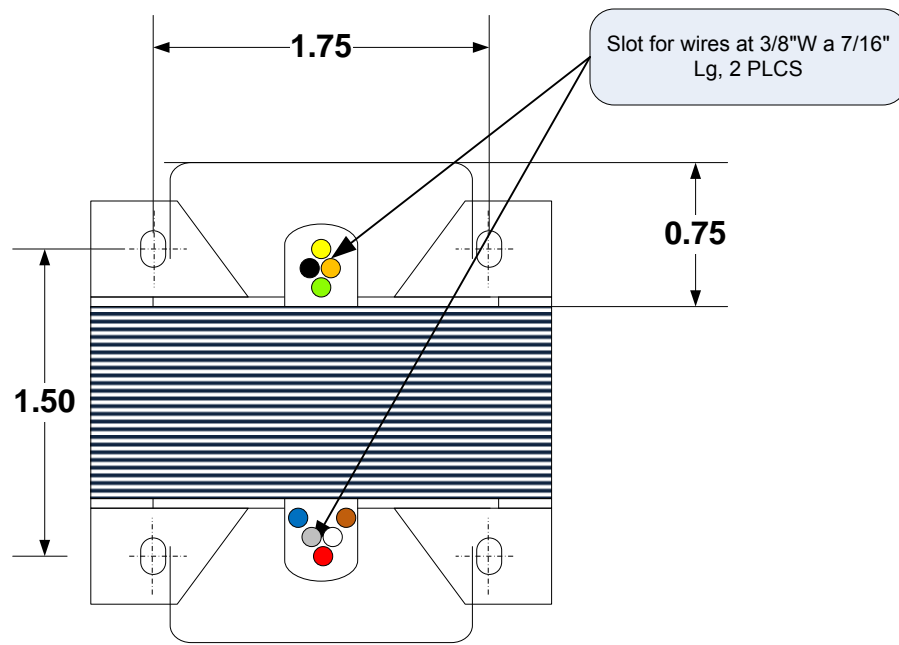
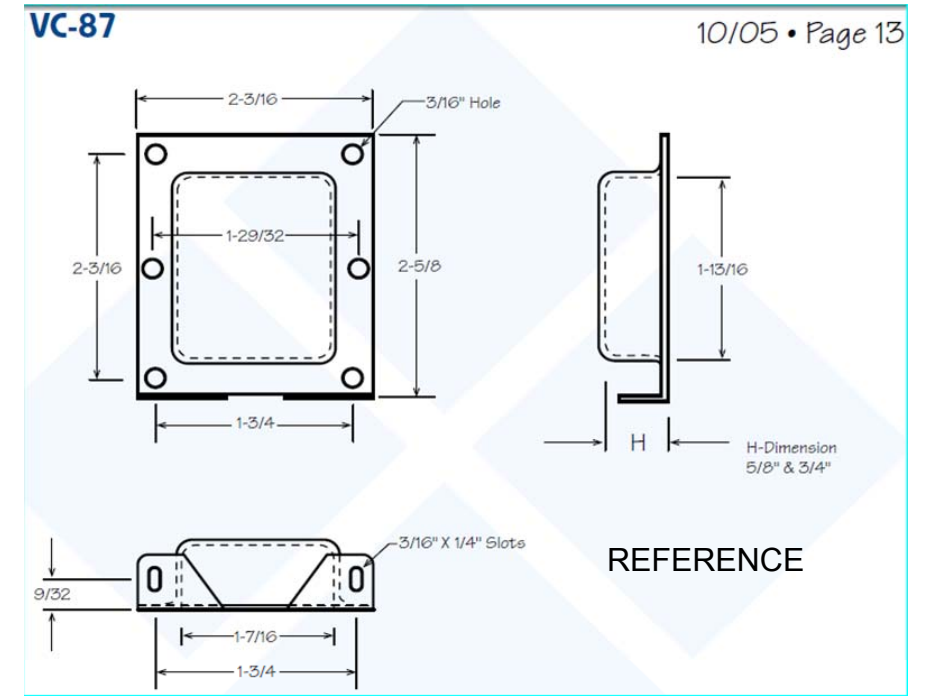
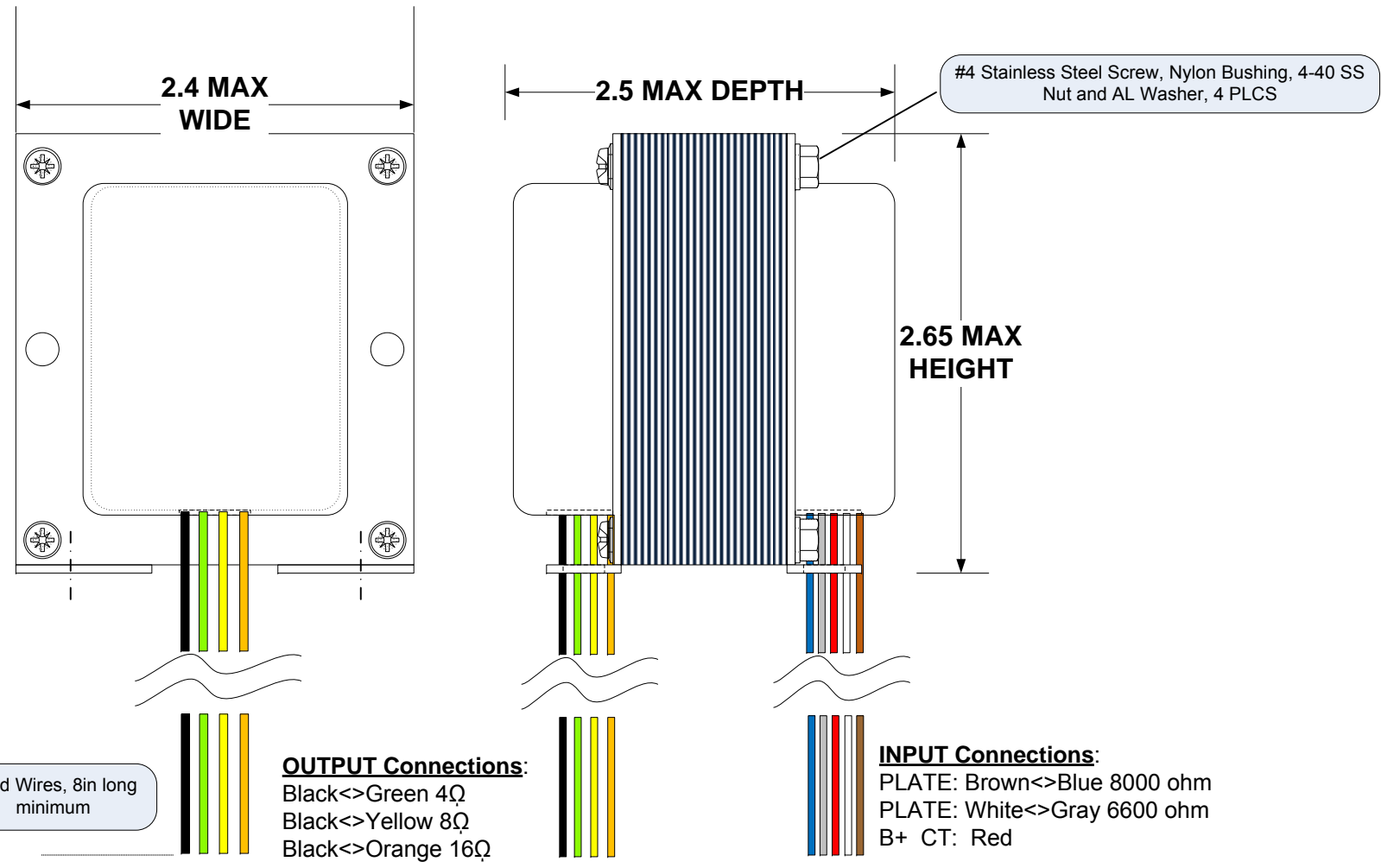
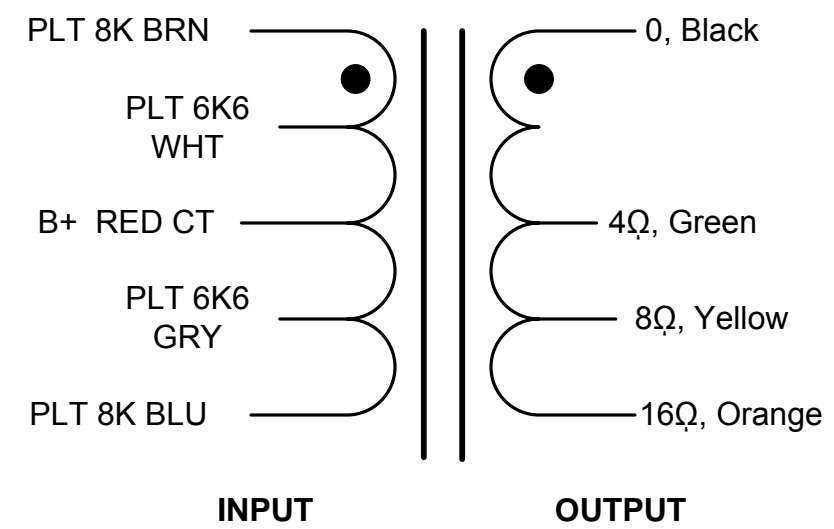


# OT20PP USA VC87 Version

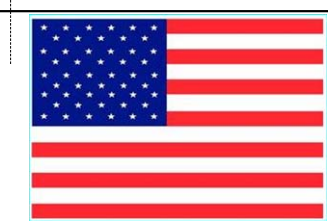


## Transformer Schematic OT20PP USA



**CONSTRUCTION DETAILS-**  
 Laminations: 29M6 x EI-87  
 Bobbin: EI-87 7/8 x 1 window, Nylon Glass Reinforced UL94V-0  
 Magnet Wire: MW80 155C or higher  
 Varnish- Class B 130C  
 Tapes: 3M #56 (inner) & #79 (outer wrap)  
 Covers: Bahr's USA 22GA Zinc Plated, VC-87  
 Hardware: Non-Magnetic

**PERFORMANCE**  
 Operating Voltage 450Vdc Maximum  
 Output Power: 25VA Maximum  
 Designed Operating Frequency (+/-1dB): 82 to 15000 Hz  
 HiPot Test Ratings 1000Vac minimum  
 Input Impedances: 6600 or 8000 Ohms  
 Output Impedances: 4, 8 and 16 Ohms  
 Application: 12 to 25W Push-Pull Amplifiers EL84 or 6V6



## OT20PP USA in VC-87 Covers

09/18/2013	SIZE B	FSCM NO	DWG NO OT20PP USA VC87	REV A
M.P.S.	SCALE 1 : 1	SHEET		Page 1 1 OF 1