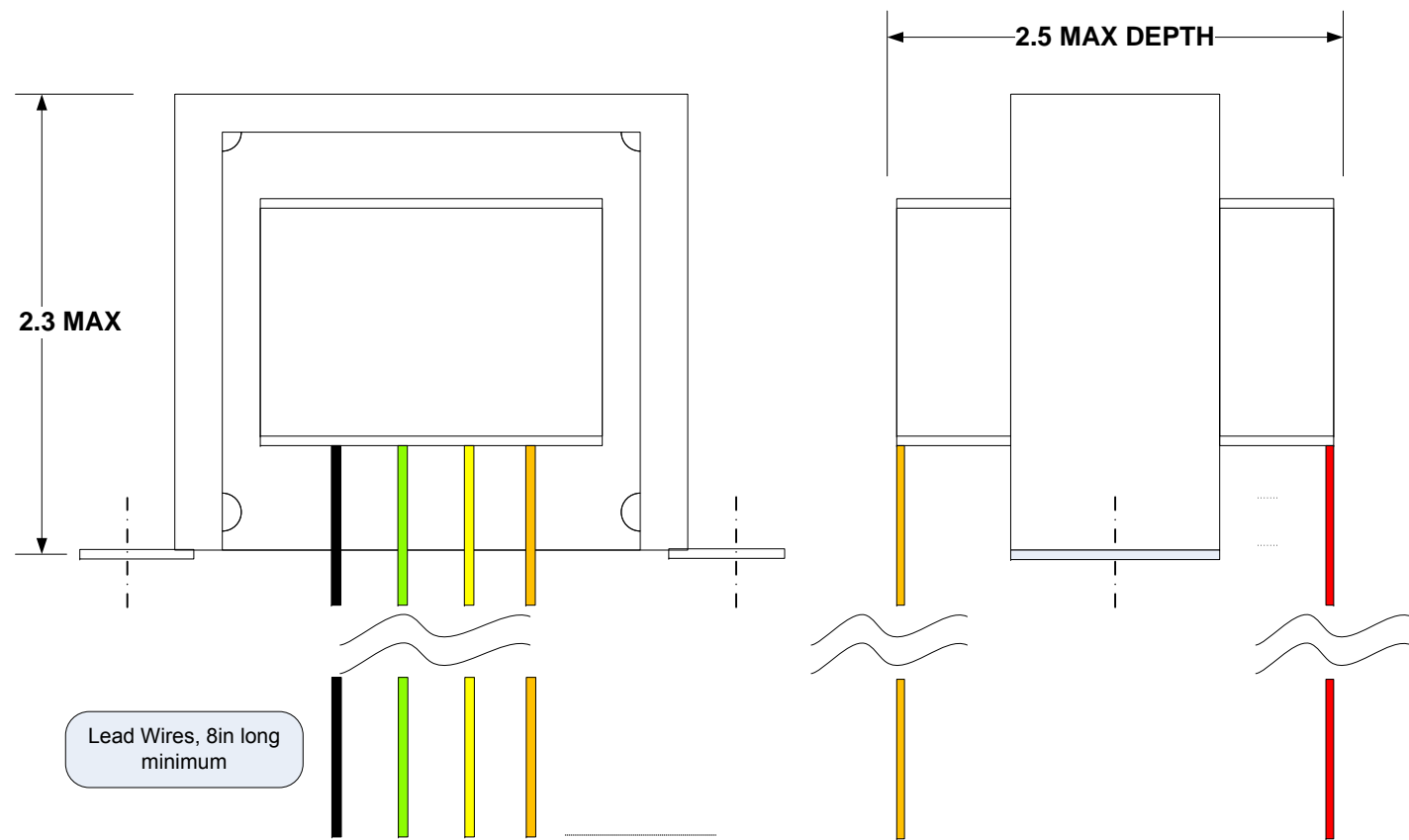
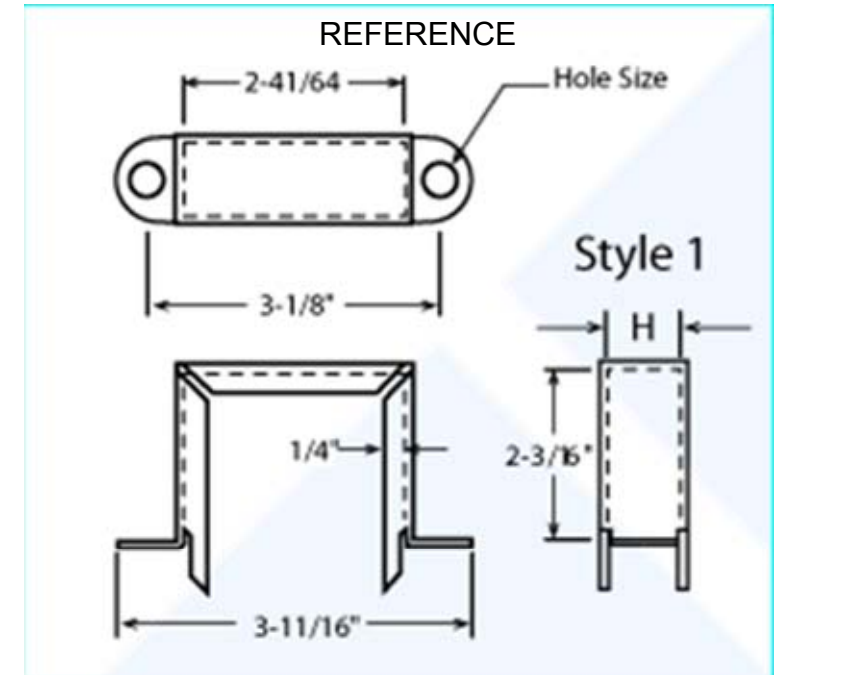


MUSICAL POWER SUPPLIES INC. OT10SE USA STANDARD- Transformer Specification

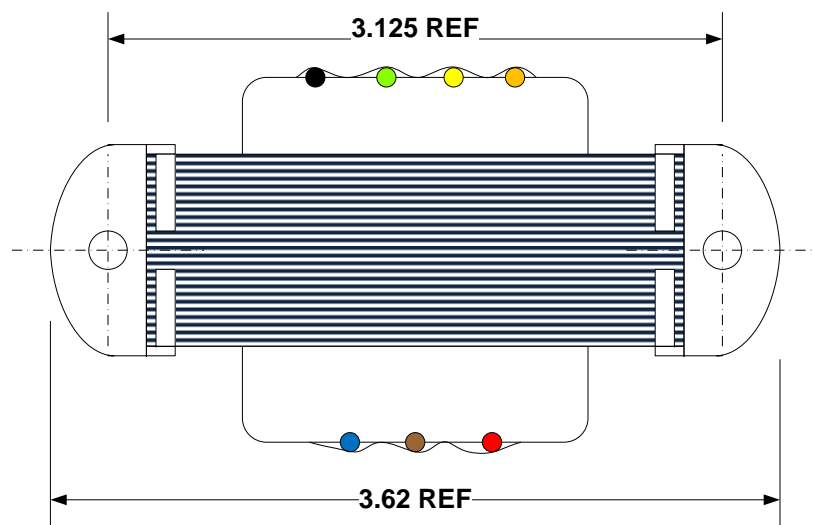


OUTPUT Connections:
 Black<>Green 4Ω
 Black<>Yellow 8Ω
 Black<>Orange 16Ω

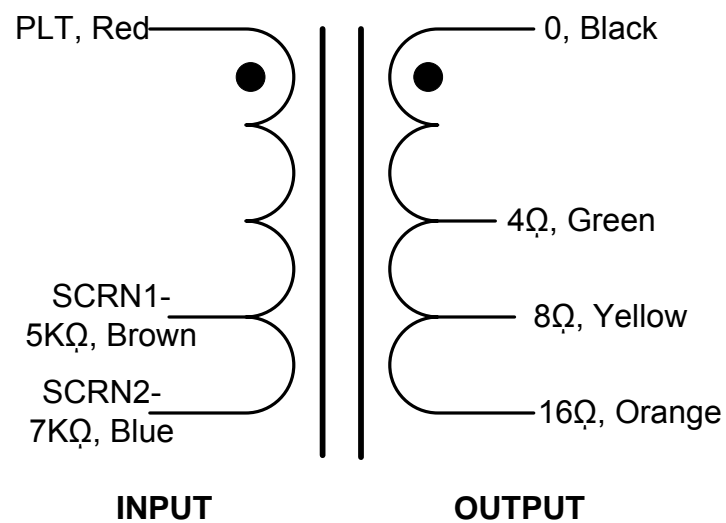
INPUT CONNECTIONS:
 Red<>Brown 5000 ohm
 Red<>Blue 7000 ohm



Stack Height	Available Styles							Available Hole Sizes	A	H	
	1	2	3	4	5	6	7				
1	X	X			X			0.149	5/32 X 3/8 Slots	7/8	1-1/64
								0.156	3/16 X 9/32 Slots		
								0.187	3/16 X 11/32 Slots		
								0.281			



Transformer Schematic, OT10SE

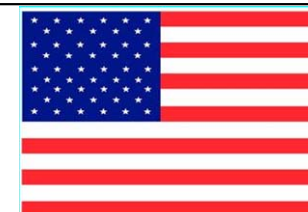


CONSTRUCTION DETAILS-

Laminations: 29M6 x EI-87
 Bobbin: EI-87 7/8 x 1 window, Nylon Glass Reinforced UL94V-0
 Magnet Wire: MW80 155C or higher
 Varnish- Class B 130C
 Tapes: 3M #56 (Internal) & #79 (Outer Wrap)
 Frame: Bahr's USA 7/8 x 1 ETC Electro Tin Coating 0.187 hole

PERFORMANCE-

Operating Voltage 450Vdc Maximum
 Output Power: 12VA Maximum
 Maximum Recommended DC Bias Current: 60mADC
 Designed Operating Frequency (+/-1dB): 82 to 15000 Hz
 HiPot Test Ratings 1000Vac minimum
 Input Impedances: 5000 or 7000 Ohms
 Output Impedances: 4, 8 and 16 Ohms
 Application: Single-Ended Amplifiers EL84, 6V6, 6L6 Tubes 40 to 60mADC



OT10SE USA Standard Transformer

09/17/2013	SIZE B	FSCM NO	DWG NO OT10SE_STD	REV A
M.P.S	SCALE 1:1		SHEET	Page 1 1 OF 1