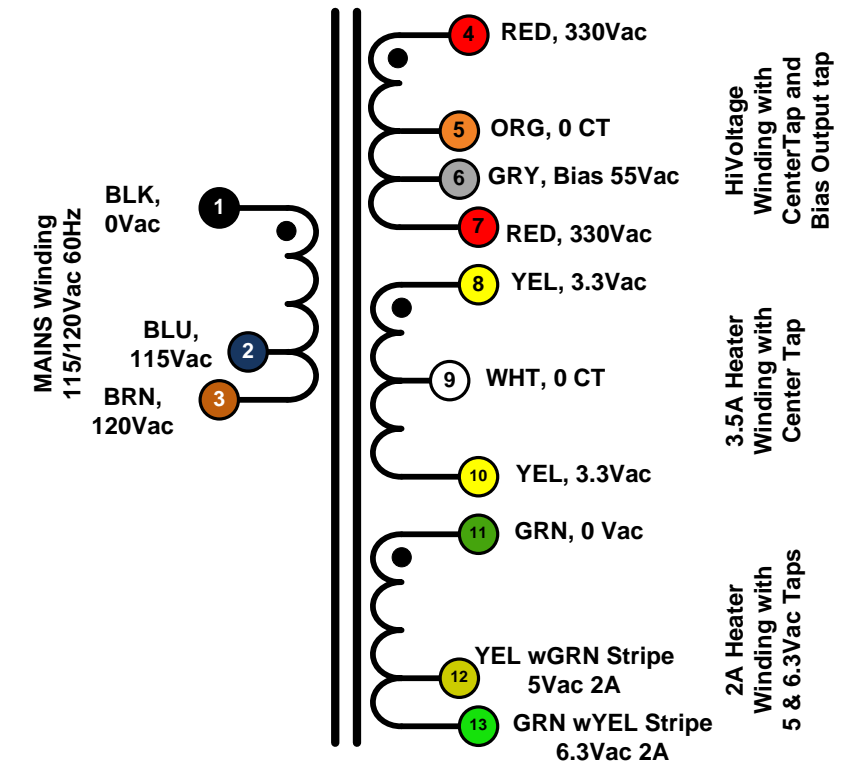


ALL LEADS 10 IN (250MM) MINIMUM LENGTH

PT330M TRANSFORMER SCHEMATIC
660Vac center-tapped 140mA



Design Notes

Revision D- 11/01/2013

Electrical Connections:

- BLACK-BLUE: 115Vac input
- BLACK-BROWN- 120Vac input
- RED-ORG-RED- 330-0-55-330Vac 140mA
- ORG-GRAY: 55Vac bias tap
- YEL-YELw/GN(CT)-YEL 3.3-0-3.3Vac @3.5A
- GREEN-GNw/YEL-GREEN 0/5.0/6.3Vac @2A

Details:

- 29M6 Lamination EI-112 in 1.7in stack
- Nyglass Bobbin 2-section UL94V-0 rated
- Class B Insulation system per manufacturers UL File
- Shipping Weight 5.8 Lbs

- Standard Covers- 2 x BAHRS (USA) FM200, Bright Zinc Plated
- Standard Hardware- 4 x #6 x 2in SS Screws, 4 x #6 Alum Washer, 4 x #6 close nut, 4 x Nylon #6 spacer
- Lead Wires- UL 600V rated 20AWG (18AWG for 6.3-0-6.3 Heater)

660Vac centertapped power transformer @140mA

