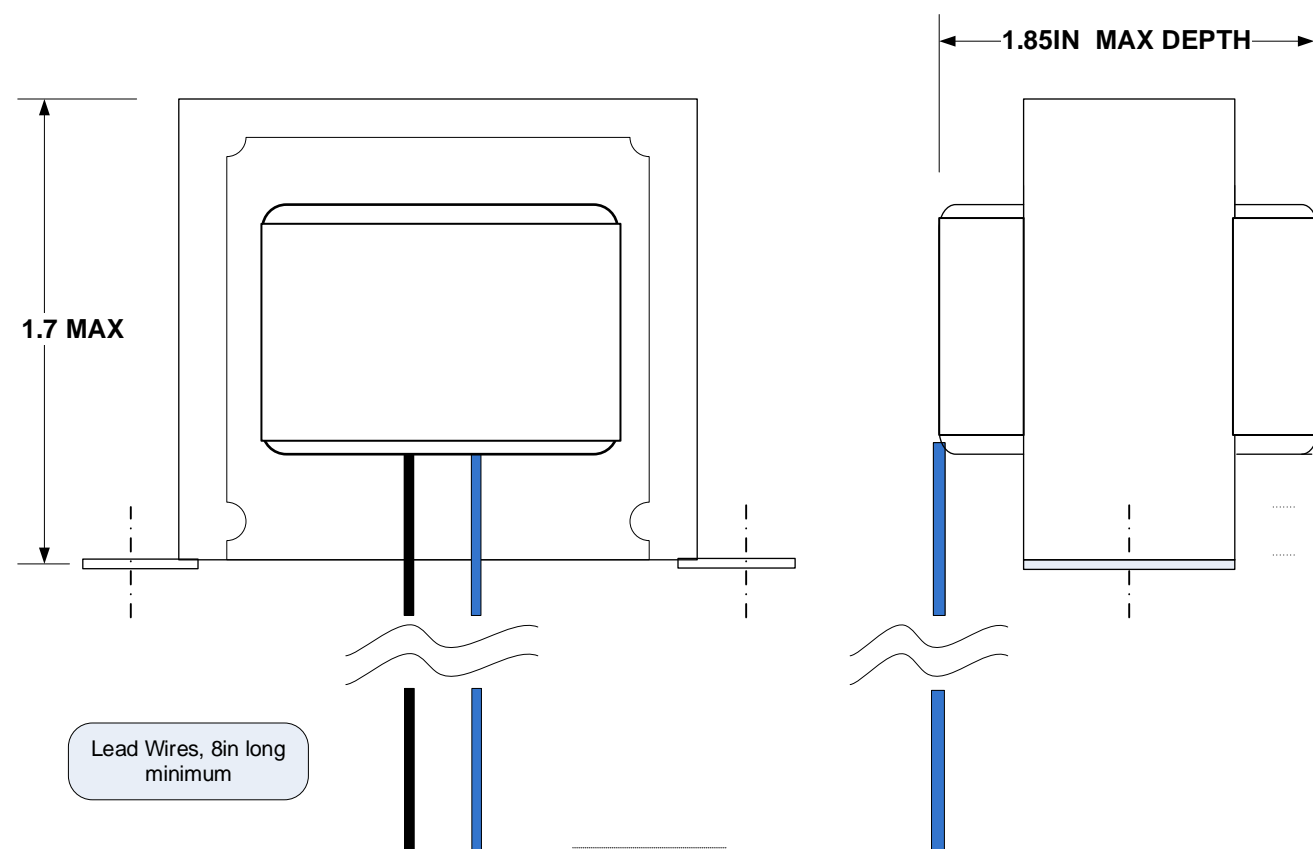
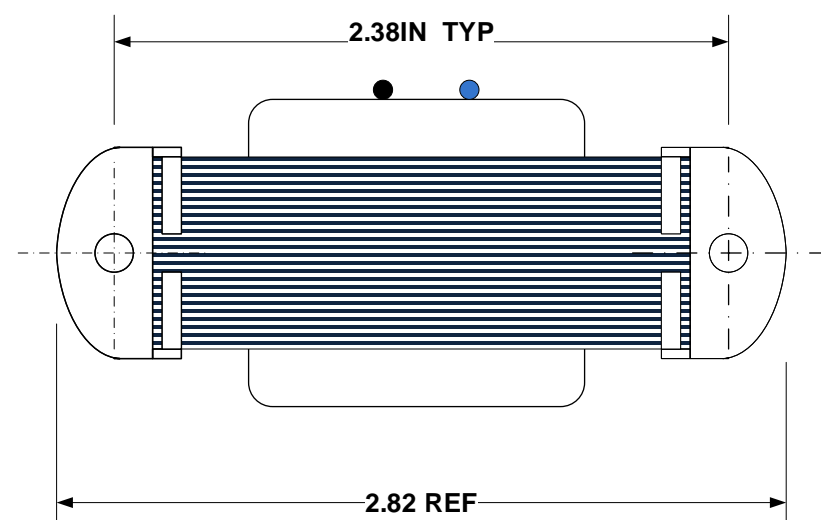


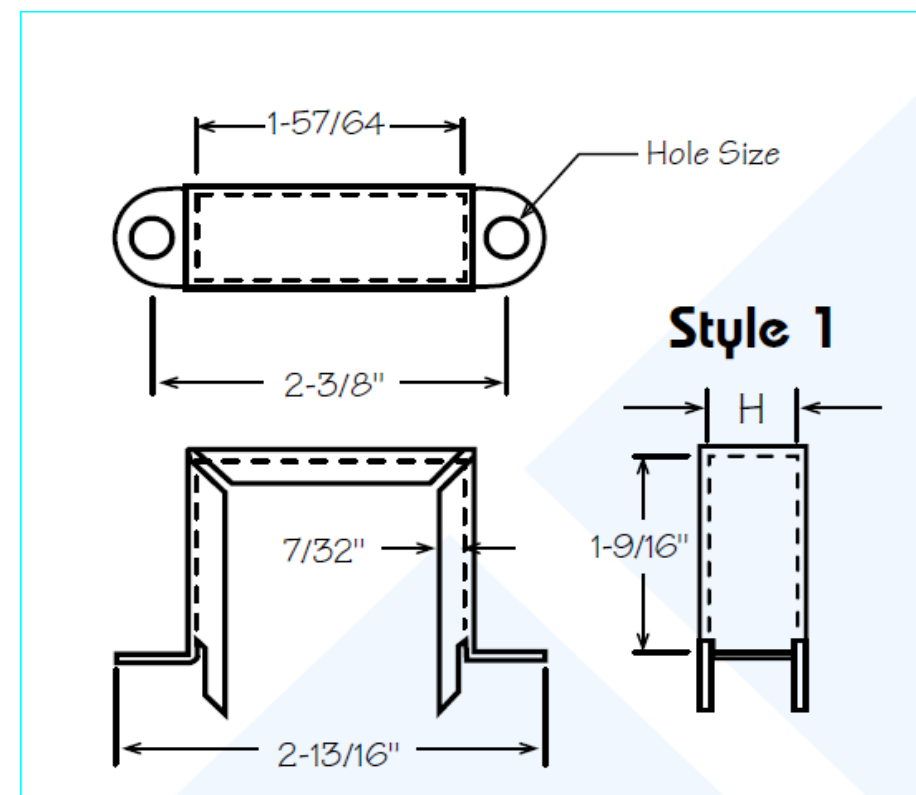
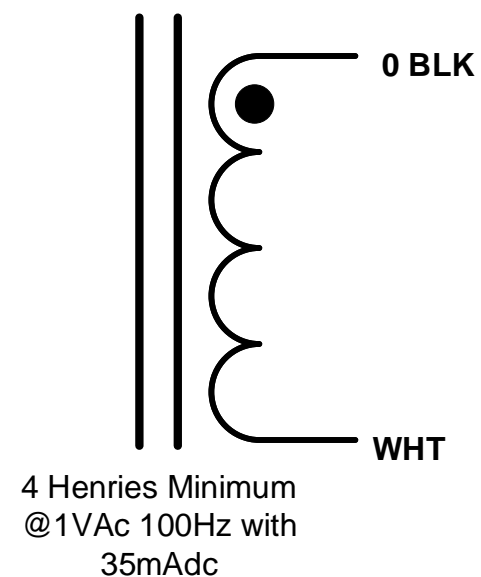
L4M35 (USA) EI-62 Low Power Choke



INPUT CONNECTIONS:
BRN-RED-BLU 22AWG



SCHEMATIC L4M35 (USA)



REFERENCE

"H" = 3/4"

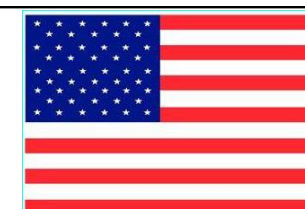
CONSTRUCTION DETAILS-

Laminations: 29M6 x EI-62 x 3/4 IN STACK
 Bobbin: EI-62 5/8" x 3/4" window, Nylon Glass Reinforced UL94V-0
 Magnet Wire: MW80 155C or higher
 Varnish- Class B 130C
 Tapes: #79 (outer wrap)
 Frame: Bahr's USA ETC, 5/8 x 3/4 Frame - unshielded
 Ship Wt= 13OZ

PERFORMANCE

Operating Voltage 400Vac Maximum
 HiPot Test Ratings 1000Vac minimum
 Input Inductance: 4H Minimum at 100HZ 1Vac 35mADC

Application: Small Power Amps and Pre-amps



L4M35 USA

7/17/2017	SIZE B	FSCM NO	DWG NO L4M35	REV A
M.P.S.	SCALE 1 : 1		SHEET	Page 1 1 OF 1