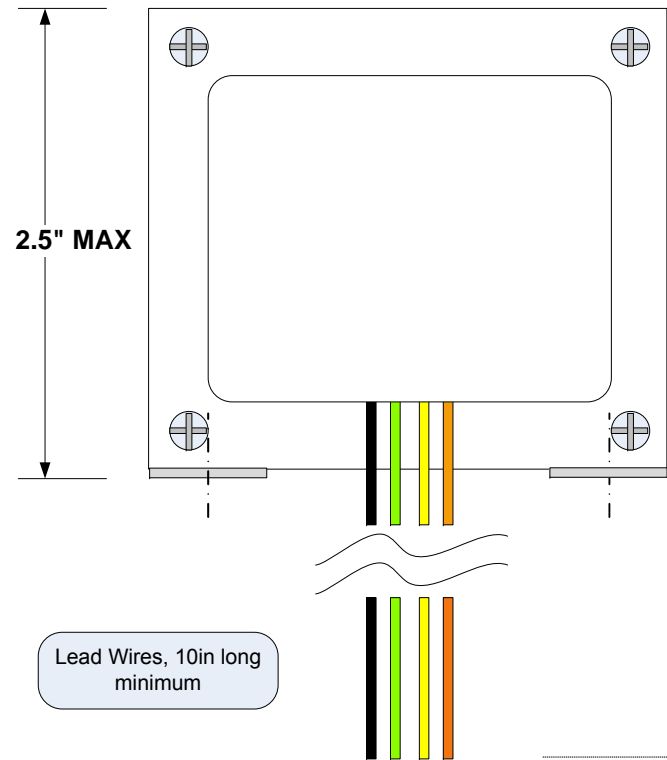
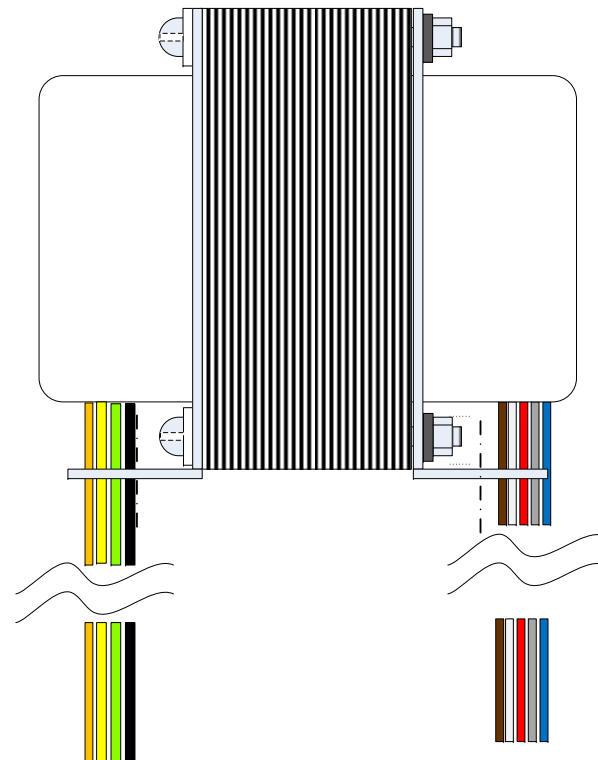


OT40PP USA HC100 Version

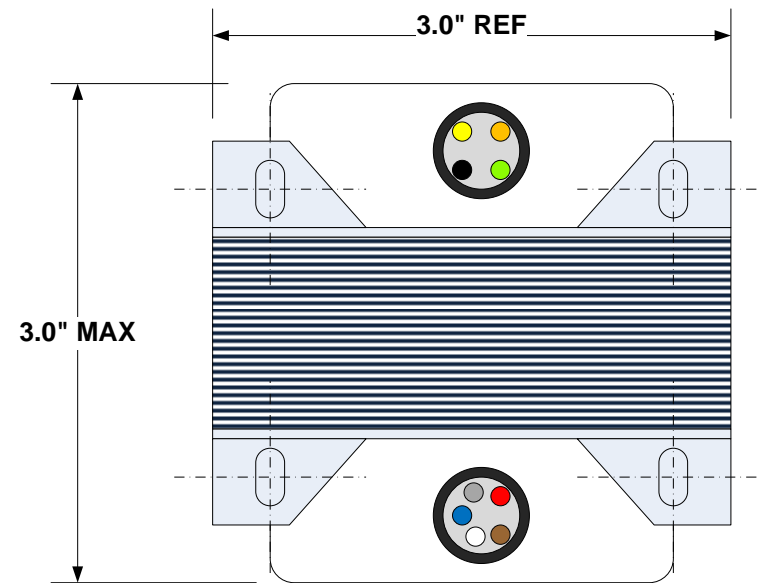
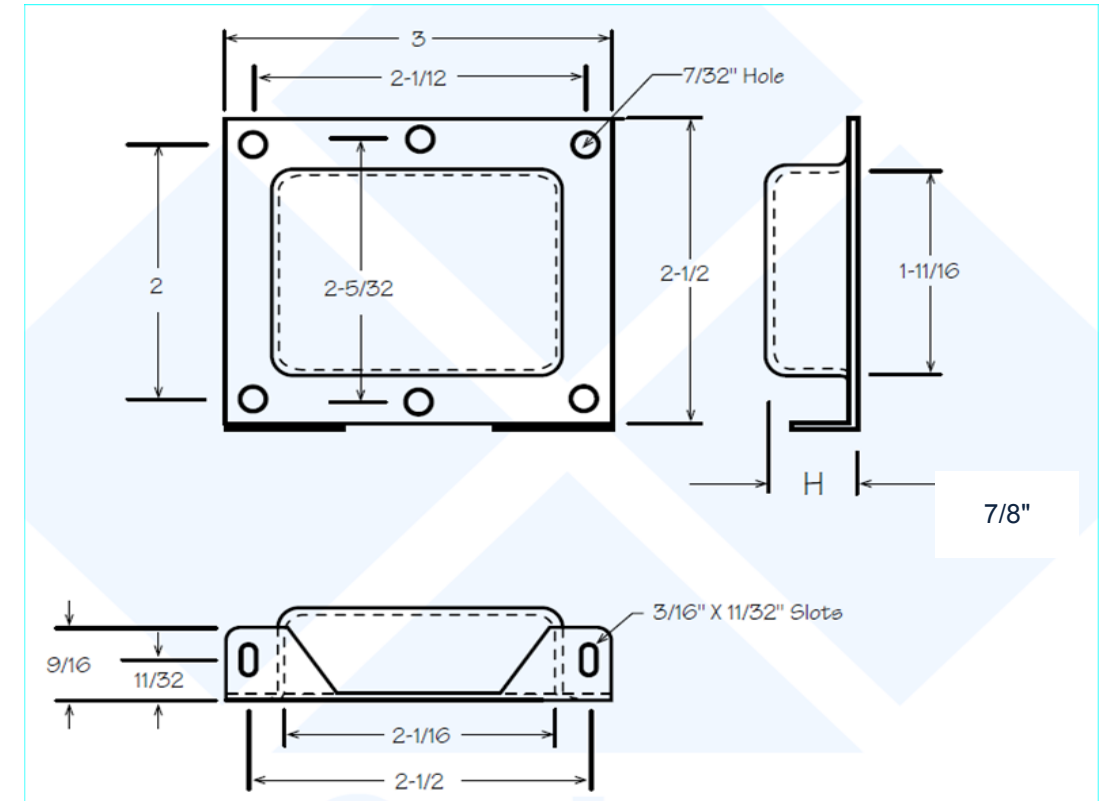


OUTPUT Connections:
 Black<->Green 4Ω
 Black<->Yellow 8Ω
 Black<->Orange 16Ω

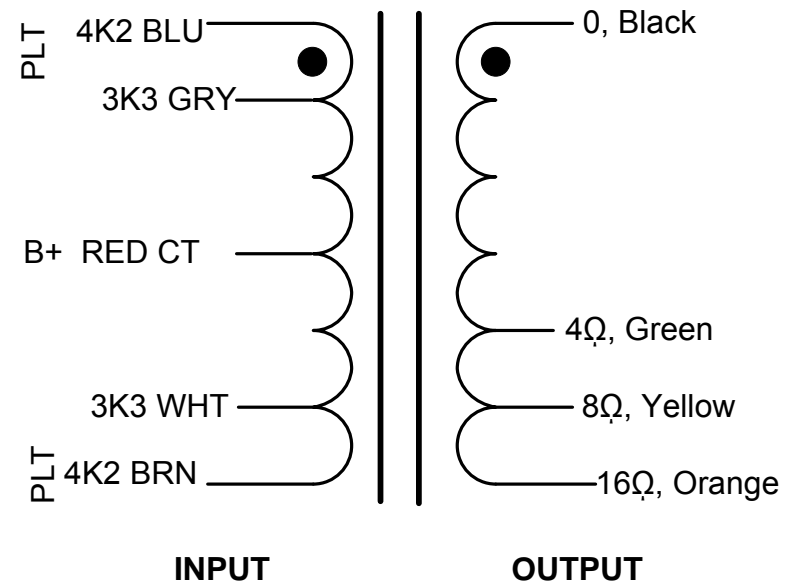


INPUT CONNECTIONS:
 BRN<->BLU 4200 ohm P-P
 GRY<->WHT 3300 ohm P-P
 RED is Center Tap

REF- BAHRS
 HC100 End Bell



Transformer Schematic OT40PP USA



CONSTRUCTION DETAILS-

Laminations: 29M6 x EI-100
 Bobbin: EI-100 1 x 1.125 stack, Nylon Glass Reinforced UL94V-0
 Winding: 5 layer interleave, 3X perfect layer output windings
 Magnet Wire: MW80 155C or higher
 Varnish- Class B 130C
 Tapes: 3M #56 (inner) & #79 (outer wrap)
 Frame: Bahr's USA Style 1- EI100 x 1.125
 Weight: 2.5 Lbs

PERFORMANCE

Operating Voltage 450Vdc Maximum
 Output Power: 45VA Maximum
 Designed Operating Frequency (+/-1dB): 35 to 15000 Hz
 HiPot Test Ratings 1000Vac minimum
 Input Impedances Plate to Plate : 3300 or 4200 Ohms
 Output Impedances: 4,8 and 16 Ohms
 Application: 25 to 45W Push-Pull Amplifiers 6L6 family of Tubes



OT40PP HC100 USA

06/11/2014	SIZE B	FSCM NO	DWG NO OT40PP USA STD	REV D
M.P.S.	SCALE 1 : 1		SHEET	Page 1 1 OF 1