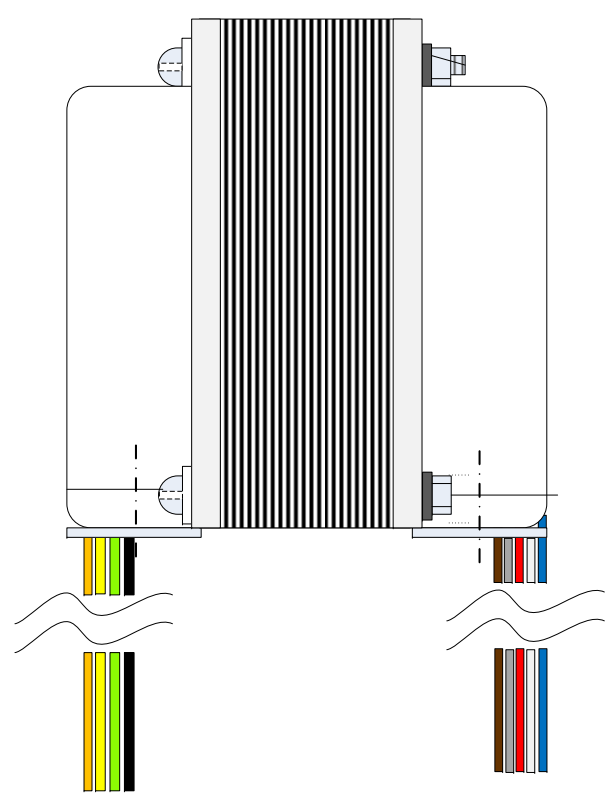
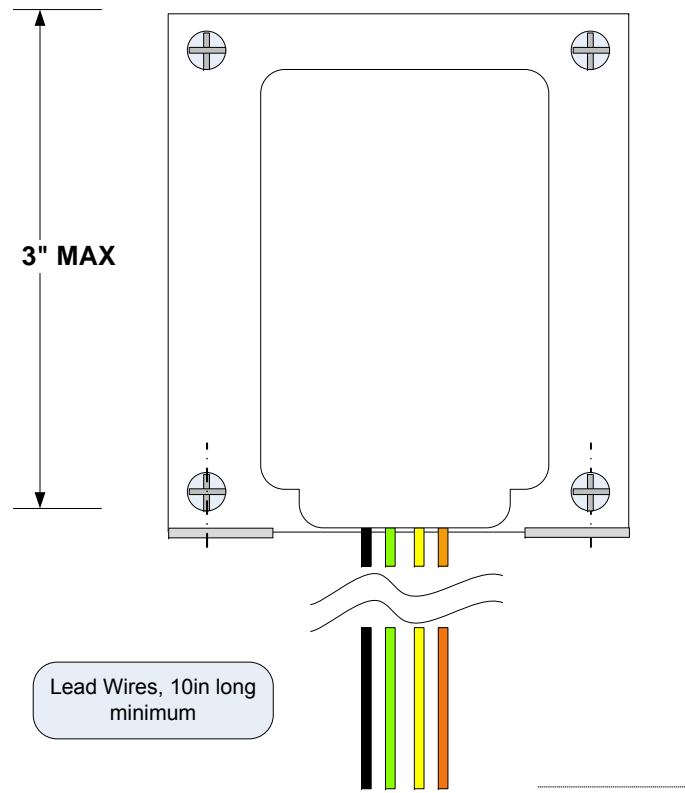


# OT40PP USA FM100 Version



REF- BAHRS FM100 End Bell

Part #	Size	A	B	C	D	E	F	G	H	J	K	L	Ga
FM-100	1	2-17/32	3-1/32	2-5/8	1-11/16	2	2-1/2	2-5/32	13/16	7/32	3/16	11/32	22

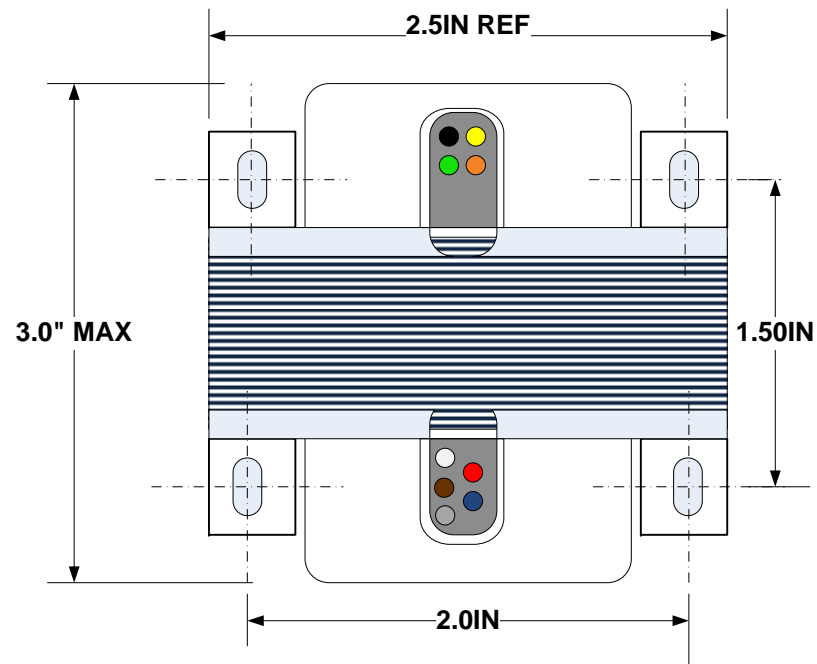
**GENERAL DIMENSIONS**

Cover Size	Mounting
FM-100 to FM 500	13/16" X 3/8"
FM-600	13/16" X 23/32"
FM-700	9/32" X 5/8"

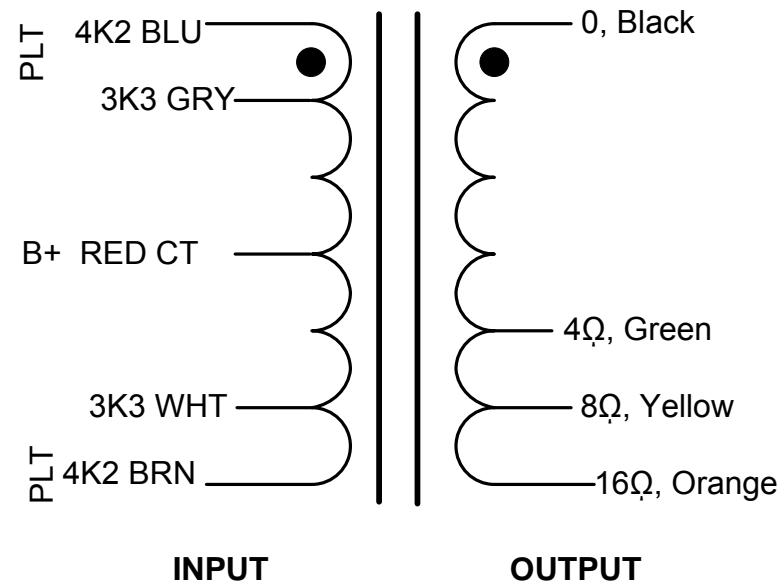
See Page 37 for Lead Exit

**OUTPUT Connections:**  
 Black<->Green 4Ω  
 Black<->Yellow 8Ω  
 Black<->Orange 16Ω

**INPUT CONNECTIONS:**  
 BRN<->BLU 4200 ohm P-P  
 GRY<->WHT 3300 ohm P-P  
 RED is Center Tap



## Transformer Schematic OT40PP USA

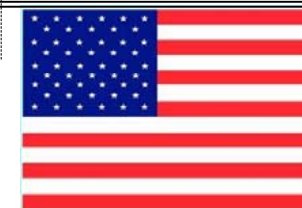


### CONSTRUCTION DETAILS-

Laminations: 29M6 x EI-100  
 Bobbin: EI-100 1 x 1.125 stack, Nylon Glass Reinforced UL94V-0  
 Winding: 5 layer interleave, 3X perfect layer output windings  
 Magnet Wire: MW80 155C or higher  
 Varnish- Class B 130C  
 Tapes: 3M #56 (inner) & #79 (outer wrap)  
 Bells: Bahr's USA Vertical End Bells 22AWG plated finish  
 Weight: 2.5 Lbs

### PERFORMANCE

Operating Voltage 450Vdc Maximum  
 Output Power: 45VA Maximum  
 Designed Operating Frequency (+/-1dB): 40 to 15000 Hz  
 HiPot Test Ratings 1000Vac minimum  
 Input Impedances Plate to Plate : 3300 or 4200 Ohms  
 Output Impedances: 4,8 and 16 Ohms  
 Application: 25 to 45W Push-Pull Amplifiers 6L6 family of Tubes



## OT40PP FM100 USA

10/16/2014	SIZE B	FSCM NO	DWG NO OT40PP USA FM100	REV D
M.P.S.	SCALE 1 : 1		SHEET 1 OF 1	