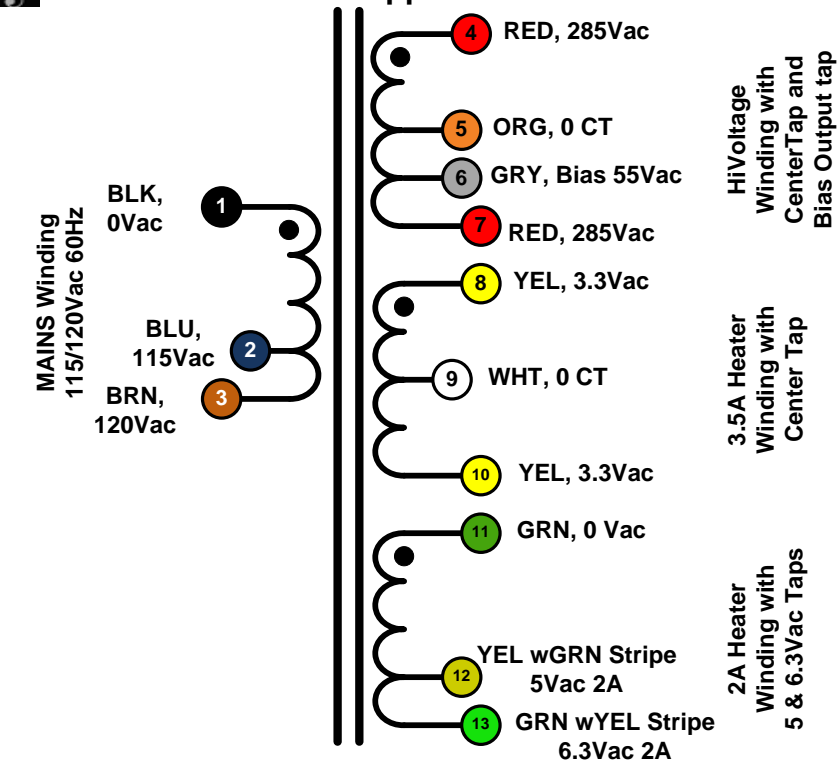


ALL LEADS 10 IN (250MM) MINIMUM LENGTH

PT285M TRANSFORMER SCHEMATIC
570Vac Center-Tapped 150mA



Design Notes

Revision B- 11/01/2013

Electrical Connections:
 BLACK-BLUE: 115Vac input
 BLACK-BROWN- 120Vac input
 RED-ORG-RED- 285-0-55-285Vac 150mA
 ORG-GRAY: 55Vac bias tap
 YEL-YELw/GN(CT)-YEL 3.3-0-3.3Vac @3.5A
 GREEN-GNw/YEL-GREEN 0/5.0/6.3Vac @2A

Details:
 29M6 Lamination EI-112 in 1.7in stack
 Nyglass Bobbin 2-section UL94V-0 rated
 Class B Insulation system per manufacturers UL File
 Shipping Weight 5.8 Lbs

Standard Covers- 2 x BAHRS (USA) FM200, Bright Zinc Plated
 Standard Hardware- 4 x #6 x 2in SS Screws, 4 x #6 Alum Washer,
 4 x #6 close nut, 4 x Nylon #6 spacer
 Lead Wires- UL 600V rated 20AWG (18AWG for 6.3-0-6.3 Heater)

570Vac center-tapped power transformer@150mA.

