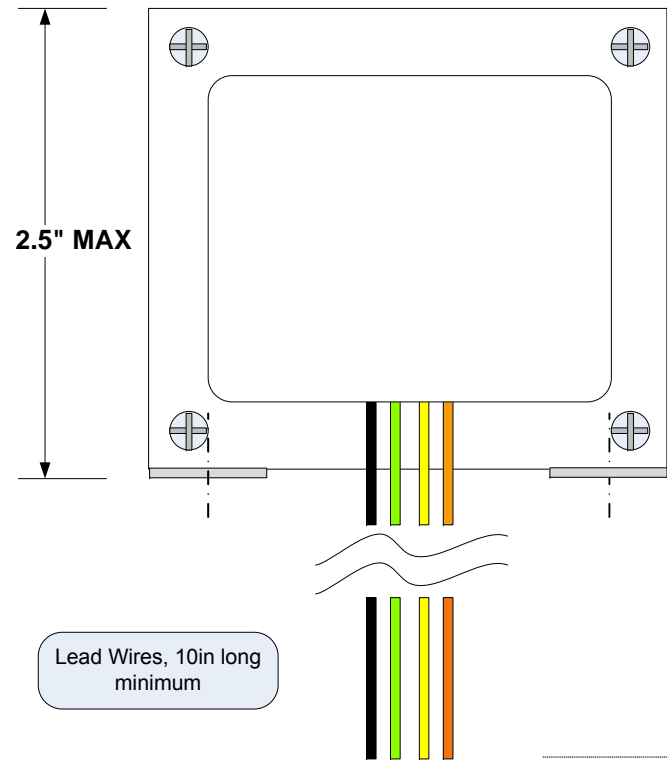
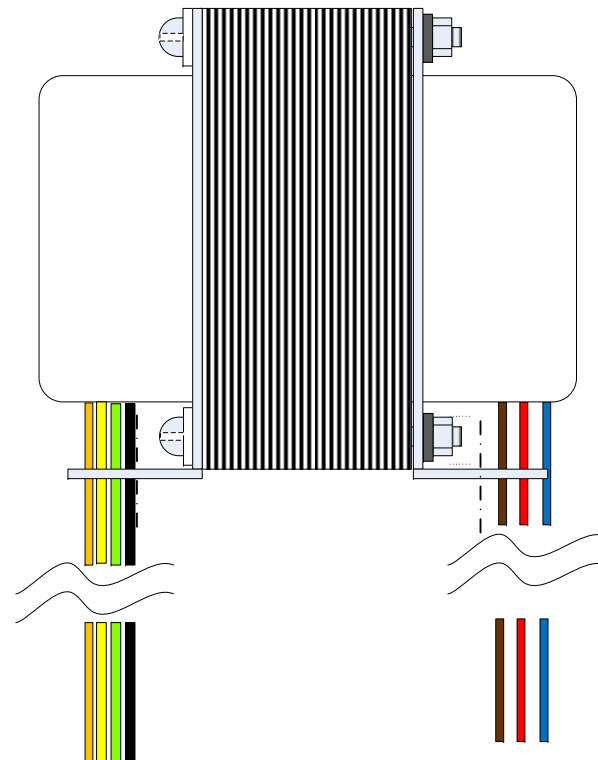


OT22PP USA HC100 Version

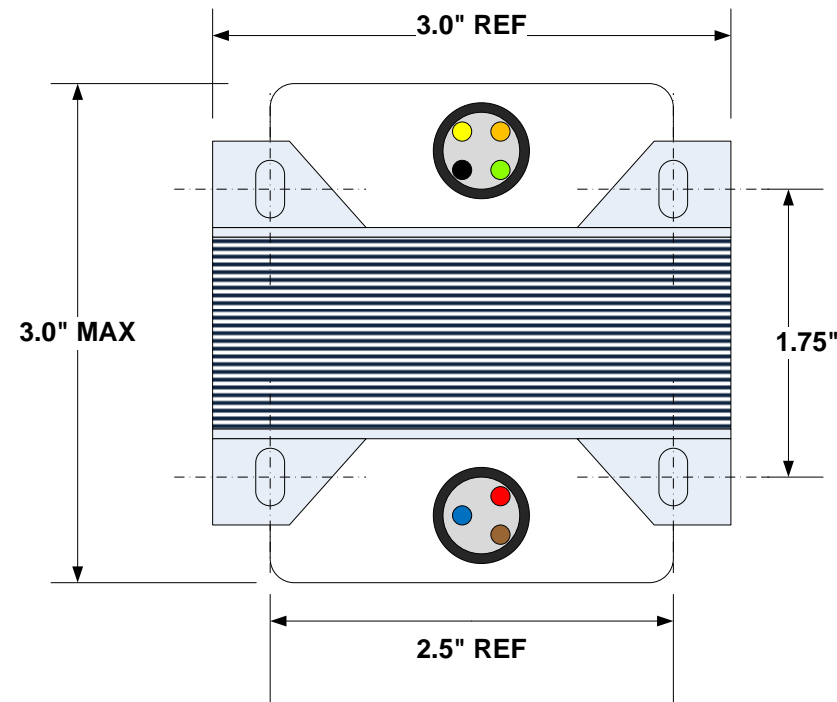
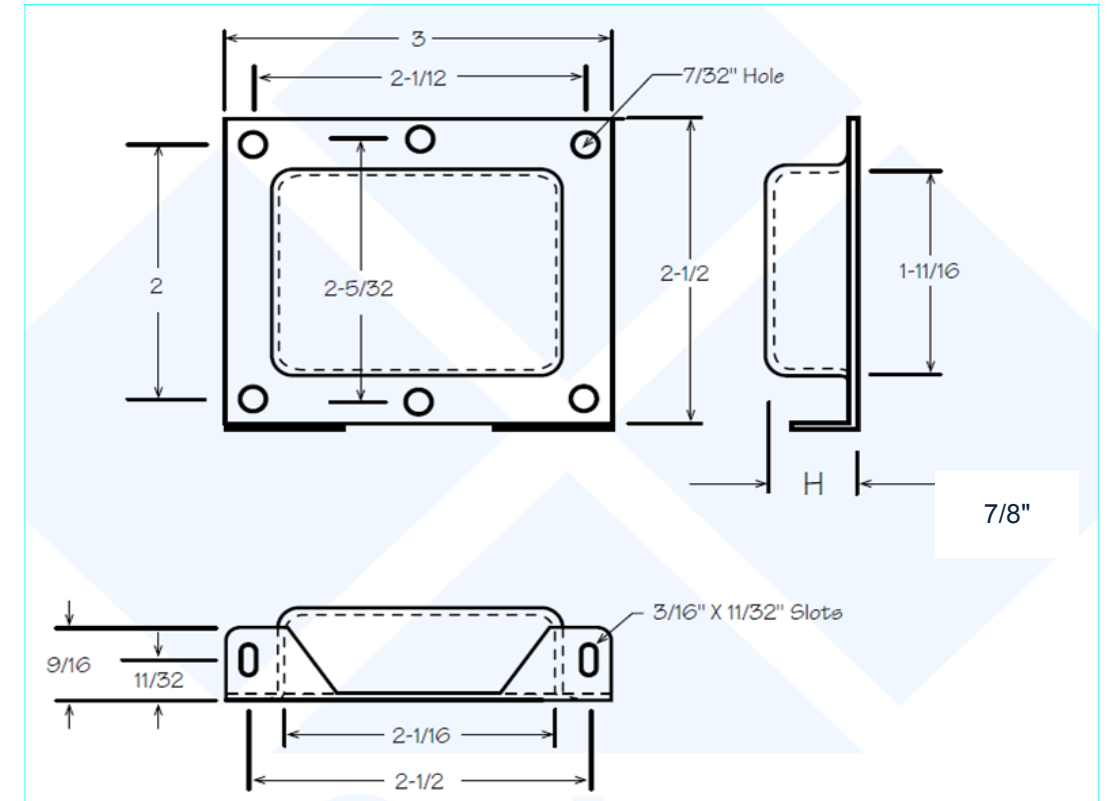


OUTPUT Connections:
 Black<->Green 4Ω
 Black<->Yellow 8Ω
 Black<->Orange 16Ω

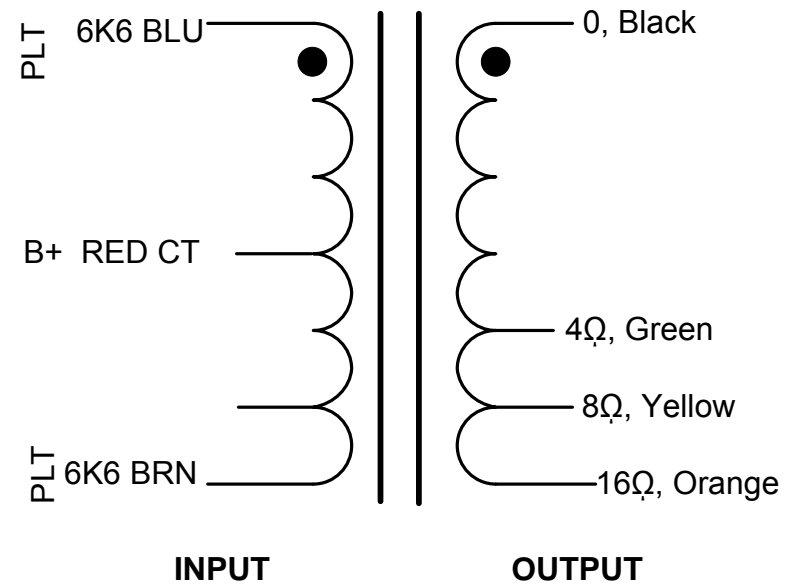


INPUT CONNECTIONS:
 BRN<->BLU 6600 ohm P-P
 RED is Center Tap

REF- BAHRS
 HC100 End Bell



Transformer Schematic OT22PP USA



CONSTRUCTION DETAILS-

Laminations: 29M6 x EI-100
 Bobbin: EI-100 1 x 1.125 stack, Nylon Glass Reinforced UL94V-0
 Winding: 5 layer interleave, 3X perfect layer output windings
 Magnet Wire: MW80 155C or higher
 Varnish- Class B 130C
 Tapes: 3M #56 (inner) & #79 (outer wrap)
 Bell: Bahr's USA HC-100 22 AWG plated Bell
 Weight: 2.5 Lbs

PERFORMANCE

Operating Voltage 450Vdc Maximum
 Output Power: 30VA Maximum
 Designed Operating Frequency (+/-1dB): 40 to 15000 Hz
 HiPot Test Ratings 1000Vac minimum
 Input Impedances Plate to Plate : 6600 Ohms
 Output Impedances: 4,8 and 16 Ohms
 Application: 15 to 30W Push-Pull Amplifiers 6V6 family of Tubes



OT22PP HC100 USA

01/14/2016	SIZE B	FSCM NO	DWG NO OT22PP USA STD	REV A
M.P.S.	SCALE 1 : 1	SHEET		Page 1 1 OF 1