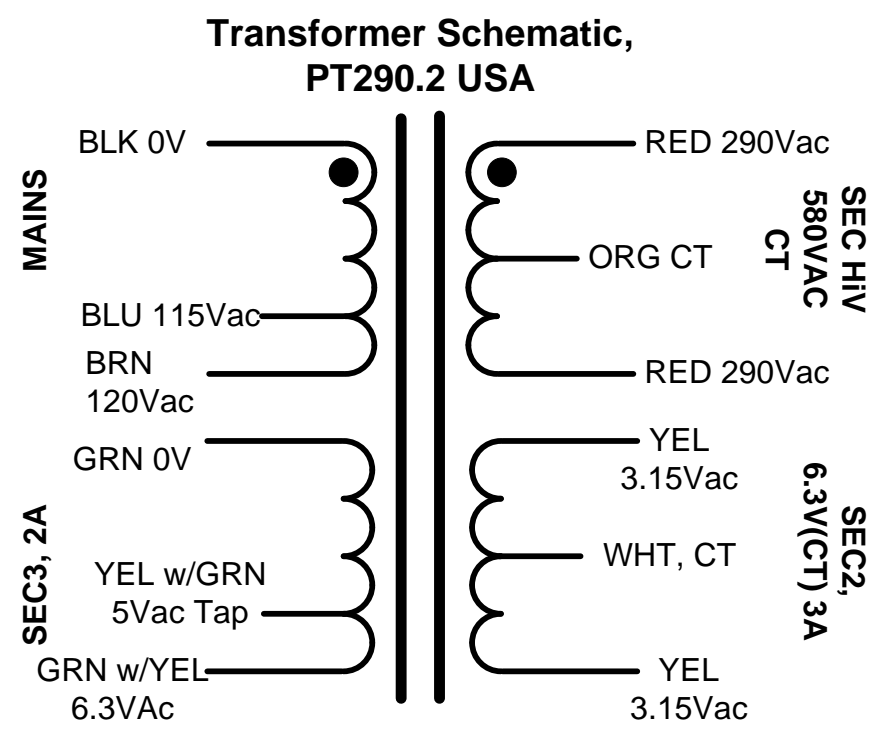
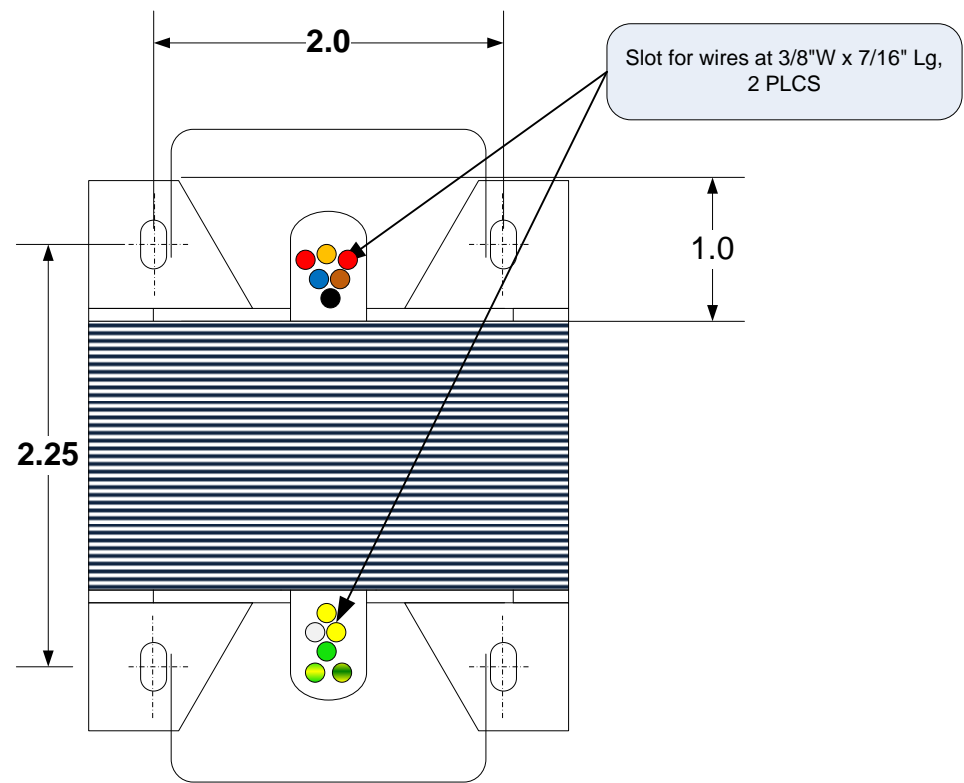
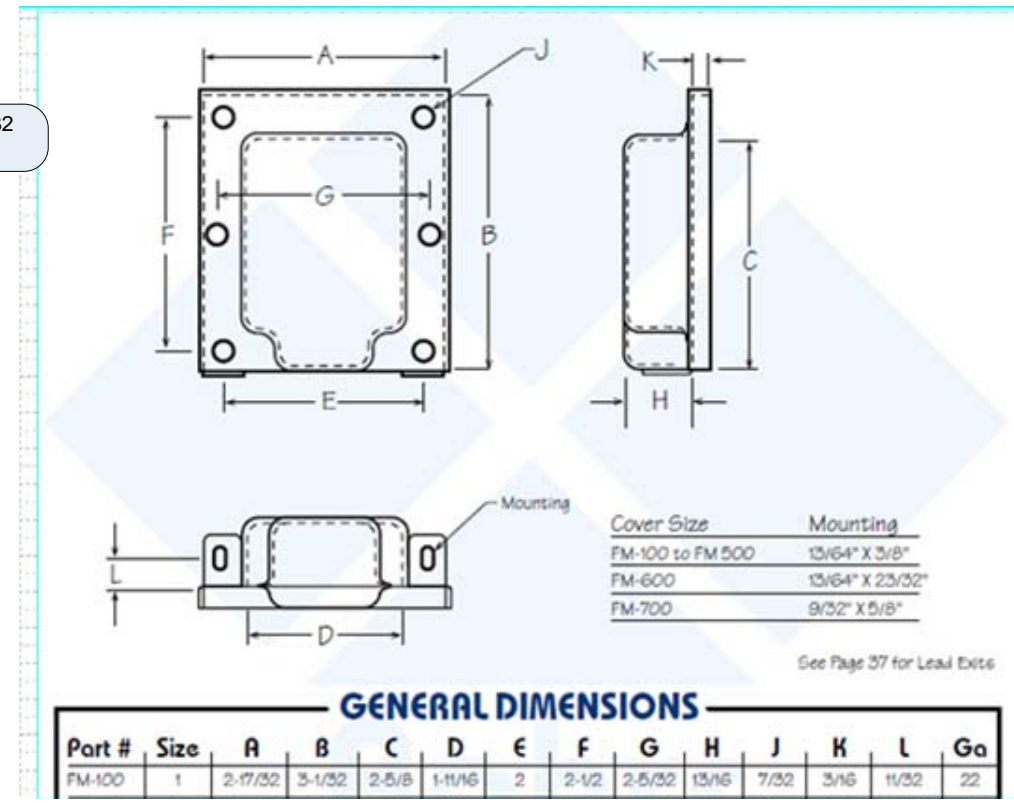
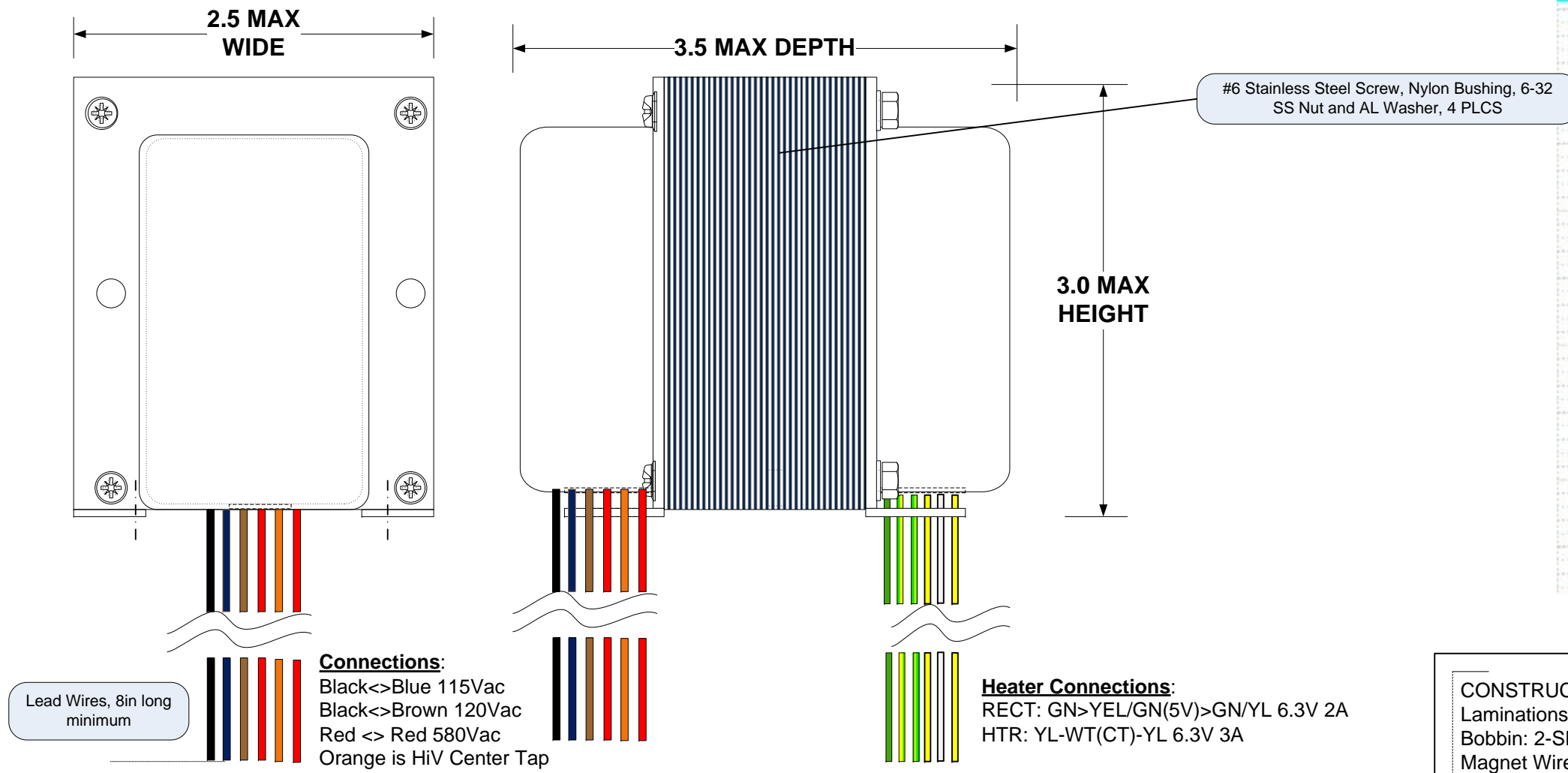


# PT290.2 USA in FM100 Cover- Transformer Specifications



**CONSTRUCTION DETAILS- Made in USA**  
 Laminations: 29M6 x EI-100 x 1.5IN Stack  
 Bobbin: 2-SECT EI-100 1 x 1.5 window, Nylon Glass Reinforced UL94V-0  
 Magnet Wire: MW80 155C or higher  
 Varnish- Class B 130C  
 Tapes: 3M #56 (inner) & #79 (outer wrap)  
 Covers: Bahr's USA 22GA Zinc Plated, FM100  
 Hardware: Non-Magnetic

**PERFORMANCE**  
 Input Voltages: 115 or 120Vac 60Hz  
 Output Voltages: 580vac/290-0-290(90mA)- 5/6.3V(2A), 3.15-0-3.15 (3A)  
 MAX Operating Voltage 600Vac Maximum  
 Output Power: 65VA Maximum  
 HiPot Test Ratings 1000Vac minimum  
**APPLICATION:**  
 EL84 Push Pull Amps with 1A or 2A Rectifier tubes (EZ81, 5Y3)  
 Single ended amps

**Musical Power Supplies, Inc.**

**PT290.2 USA Power Transformer FM100 Covers**

05/17/2016	SIZE B	FSCM NO	DWG NO PT290.2 USA	REV A
M.P.S	SCALE 1:1	1	SHEET	Page 1 OF 1