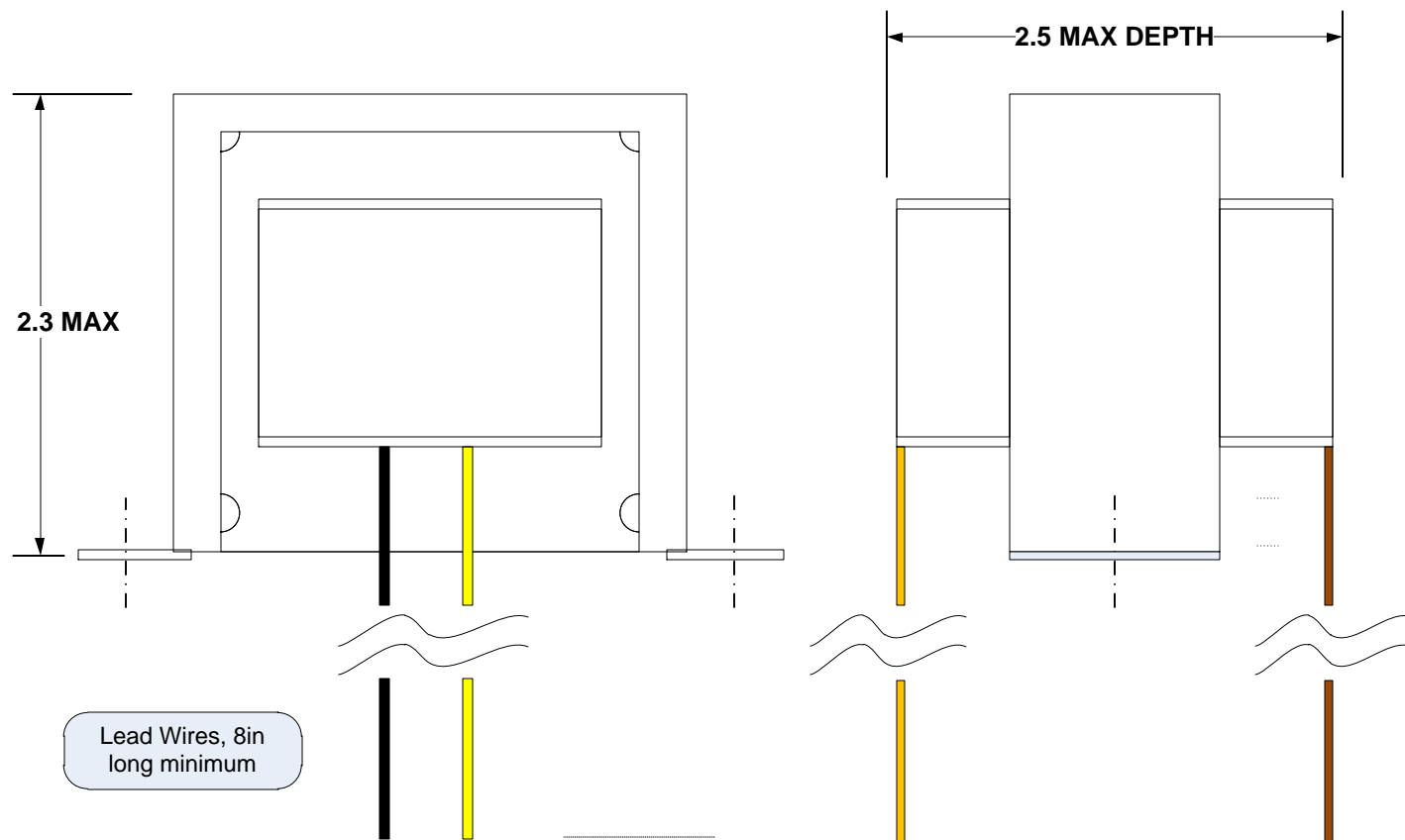


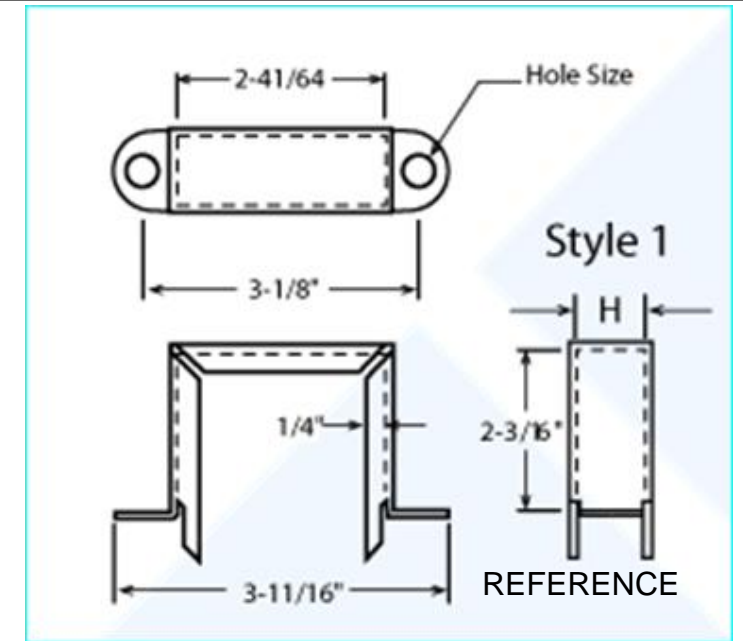
# OT16PP USA Standard Version



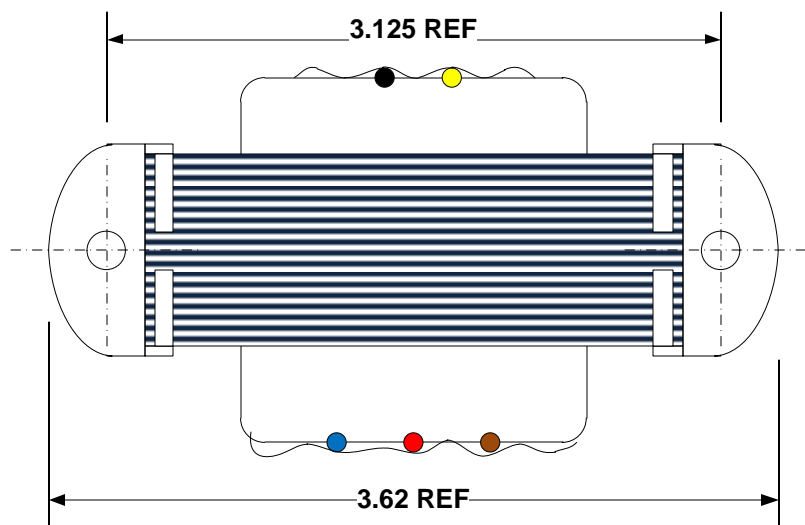
Lead Wires, 8in long minimum

**OUTPUT Connections:**  
Black<->Yellow 8Ω

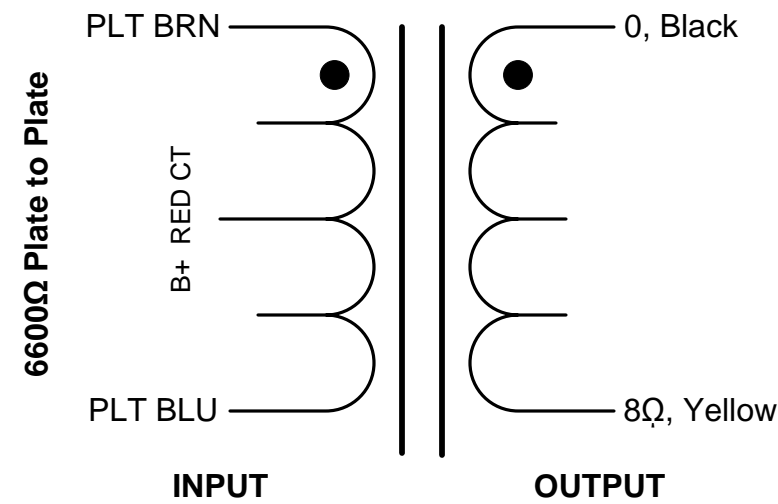
**INPUT CONNECTIONS:**  
BRN<->BLU 6600 ohm P-P  
RED is Center Tap



| Stack Height | Available Styles |   |   |   |   |   |       | Available Hole Sizes | A                | H   |        |
|--------------|------------------|---|---|---|---|---|-------|----------------------|------------------|-----|--------|
|              | 1                | 2 | 3 | 4 | 5 | 6 | 7     |                      |                  |     |        |
| 1            | X                | X |   |   | X |   |       | 0.149                | 5/32 X 3/8 Slots | 7/8 | 1-1/64 |
|              |                  |   |   |   |   |   | 0.156 | 3/16 X 9/32 Slots    |                  |     |        |
|              |                  |   |   |   |   |   | 0.187 | 3/16 X 11/32 Slots   |                  |     |        |
|              |                  |   |   |   |   |   | 0.281 |                      |                  |     |        |



## OT16PP USA



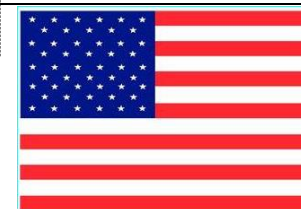
**INPUT**  
Musical Power Supplies, Inc.

### CONSTRUCTION DETAILS-

Laminations: 29M6 x EI-87  
 Bobbin: EI-87 7/8 x 1 window, Nylon Glass Reinforced UL94V-0  
 Magnet Wire: MW80 155C or higher  
 Varnish- Class B 130C  
 Tapes: 3M #56 (inner) & #56 (outer wrap)  
 Frame: Bahr's USA Style 1- EI87 x 1  
 Weight: 1.8 Lbs

### PERFORMANCE

Operating Voltage 450Vdc Maximum  
 Output Power: 22VA Maximum  
 Designed Operating Frequency (+/-1dB): 60 to 15000 Hz  
 HiPot Test Ratings 1000Vac minimum  
 Input Impedances: 6600 Ohms Plate to Plate  
 Output Impedances: 8 Ohms  
 Application: 12 to 22W Push-Pull Amplifiers EL84 or 6V6



## OT16PP USA STANDARD

|            |                |         |                          |                  |
|------------|----------------|---------|--------------------------|------------------|
| 01/25/2017 | SIZE<br>B      | FSCM NO | DWG NO<br>OT16PP USA STD | REV<br>A         |
| M.P.S.     | SCALE<br>1 : 1 |         | SHEET                    | Page 1<br>1 OF 1 |