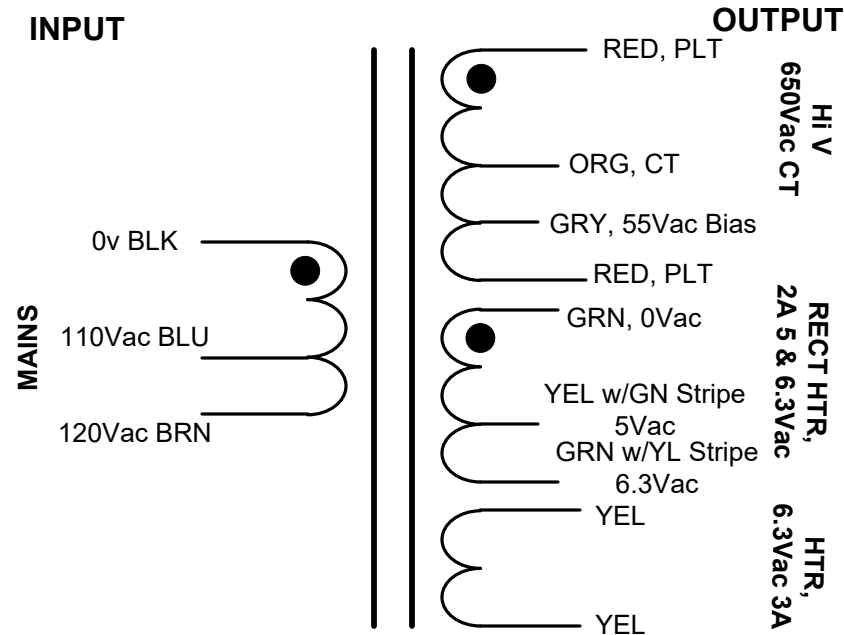


**Transformer Schematic PT325.2 USA**



**PT325.2 Design Notes**

**Electrical Connections:**  
 BLACK-BLUE: 110Vac input  
 BLACK-BROWN- 120Vac input  
 RED-ORG-RED- 325-0-55-325VAc 120mA  
 ORG-GRAY: 55Vac bias tap  
 YEL-YEL 6.3Vac @3.0A no center-tap  
 GREEN-YEL/GN-GRN/YL 0 - 5.0 - 6.3Vac @2A



**Construction Details:**  
 29M6 Lamination EI-100 in 1.5in stack  
 Nyglass Bobbin 2-section UL94V-0 rated  
 Class B Insulation system per US manufacturers UL File  
 Shipping Weight 3.8 Lbs

Standard Covers- 2 x BAHRS (USA) FM100, Bright Zinc Plated  
 Standard Hardware- 4 x #6 x 2in SS Screws, 4 x #6 Alum Washer,  
 4 x #6 close nut, 4 x Nylon #6 spacer  
 Lead Wires- UL 600V rated 20AWG

650Vac center-tapped power transformer@90mA.

	<b>PT325.2 USA</b>			
4/16/2018	SIZE B	FSCM NO	DWG NO PT325.2 EI100 Power Transformer	REV D
M.P.S.	SCALE	1 : 1	SHEET	Page 1 OF 1