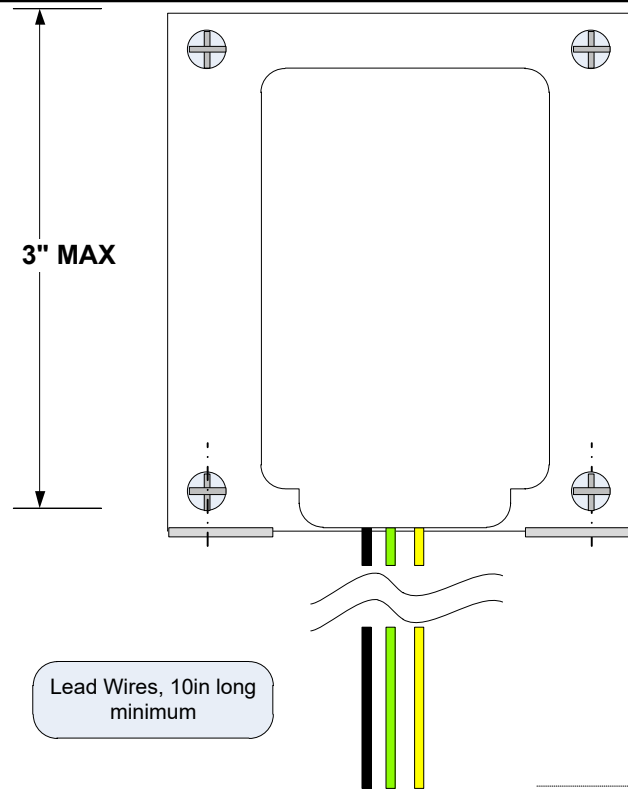
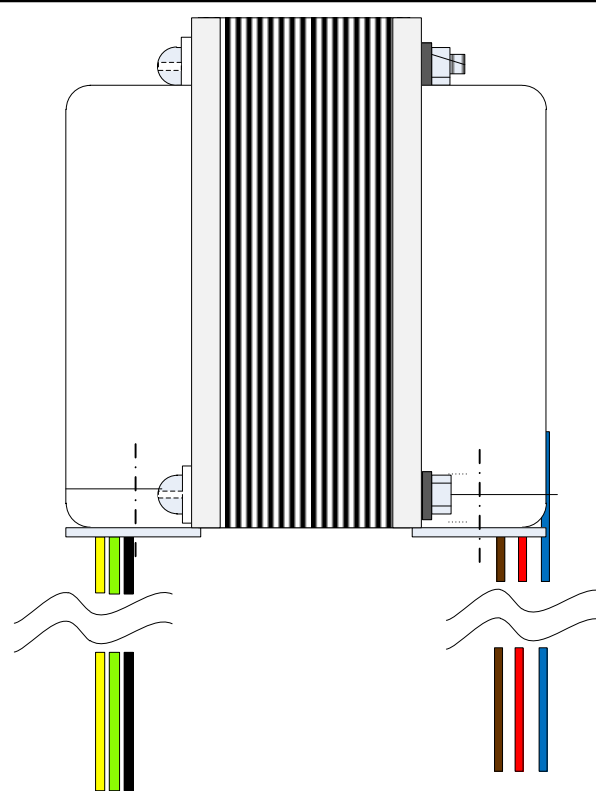


OT43PP DYN70



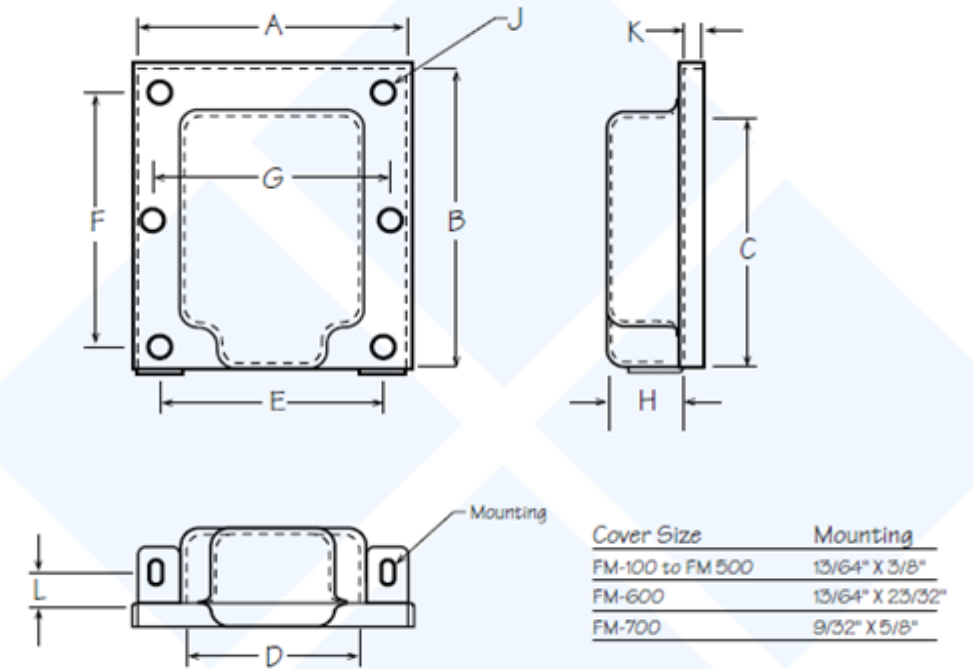
Lead Wires, 10in long minimum

OUTPUT Connections:
Black<->Green 4Ω
Black<->Yellow



INPUT CONNECTIONS:
BRN<->BLU 4300 ohm P-P
RED is Center Tap

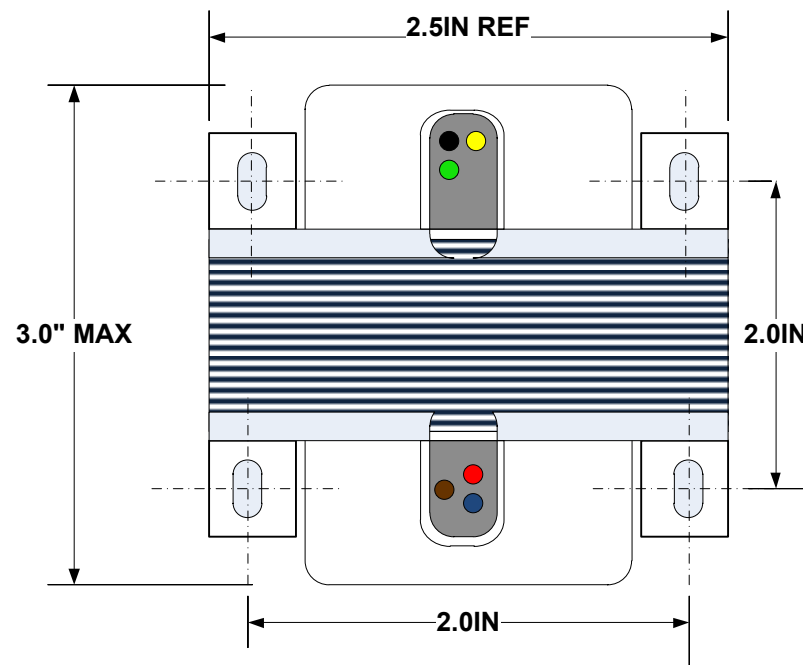
REF- BAHRS
FM100 End Bell



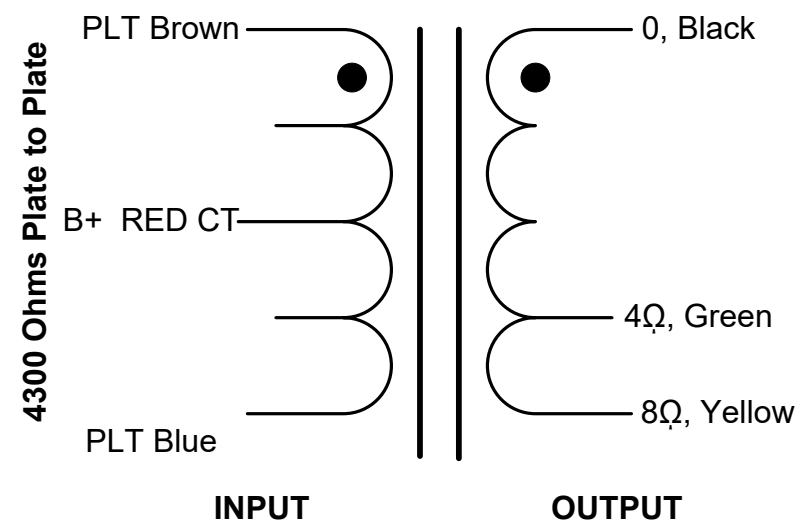
See Page 37 for Lead Exits

GENERAL DIMENSIONS

| Part # | Size | A | B | C | D | E | F | G | H | J | K | L | Ga |
|--------|------|---------|--------|-------|---------|---|-------|--------|-------|------|------|-------|----|
| FM-100 | 1 | 2-17/32 | 3-1/32 | 2-5/8 | 1-11/16 | 2 | 2-1/2 | 2-5/32 | 13/16 | 7/32 | 3/16 | 11/32 | 22 |



Transformer Schematic OT43PP DYN70

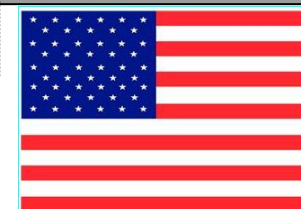


CONSTRUCTION DETAILS-

Laminations: 29M6 x EI-100
Bobbin: EI-100 1 x 1.25 stack, Nylon Glass Reinforced UL94V-0
Winding: 5 layer interleave, 3X perfect layer output windings
Magnet Wire: MW80 155C or higher
Varnish- Class B 130C
Tapes: 3M #56 (inner) & 3M #20 (outer wrap)
End Bells: Bahr's USA FM-100 End Bells
Weight: 2.8 Lbs

PERFORMANCE

Operating Voltage 500Vdc Maximum
Output Power: 40VA Maximum
Designed Operating Frequency (+/-1dB): 30 to 15000 Hz
HiPot Test Ratings 1000Vac minimum
Input Impedances Plate to Plate: 4300 Ohms
Output Impedances: 4 and 8 Ohms
Application: 35W Push-Pull Amplifiers such as Dynaco 70



OT43PP-DYN70

| | | | | |
|------------|----------------|---------|----------------------------------|------------------|
| 11/22/2019 | SIZE B | FSCM NO | DWG NO OT43PP-DYN70 USA FM100 | REV D |
| M.P.S. | SCALE 1 : 1 | | SHEET | Page 1 1 OF 1 |