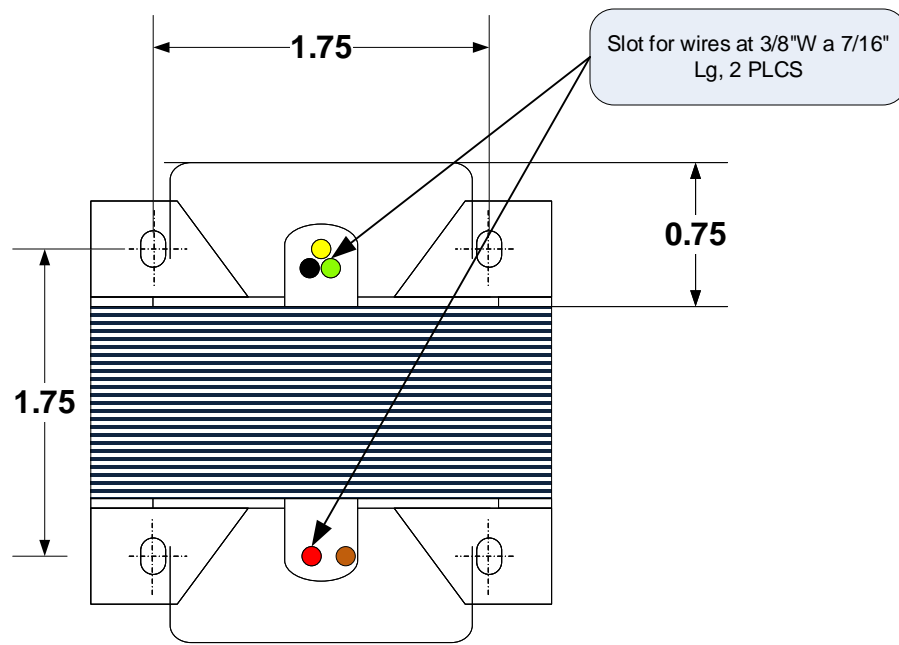
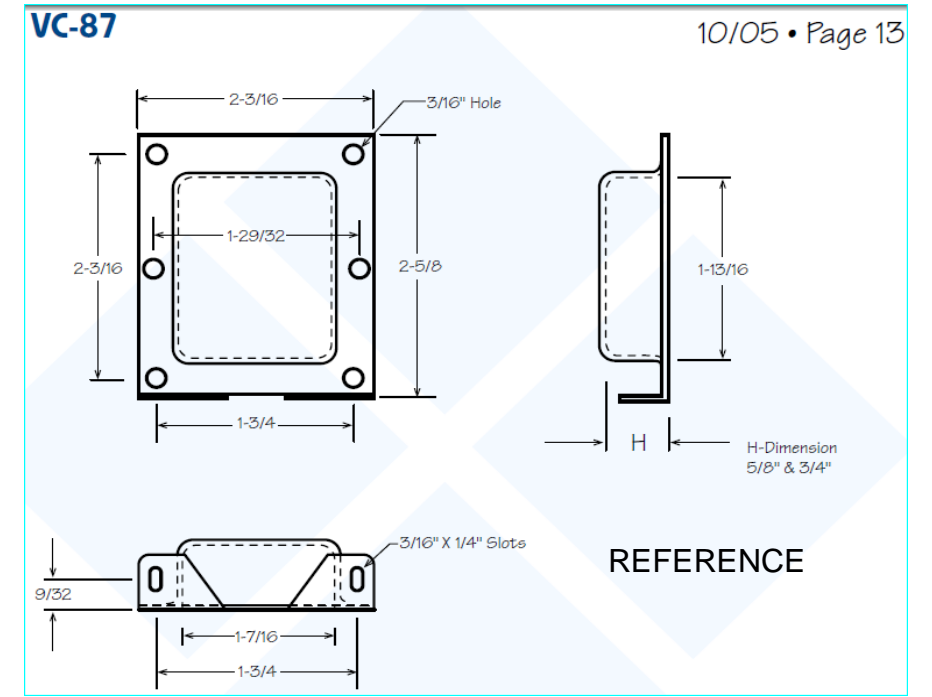
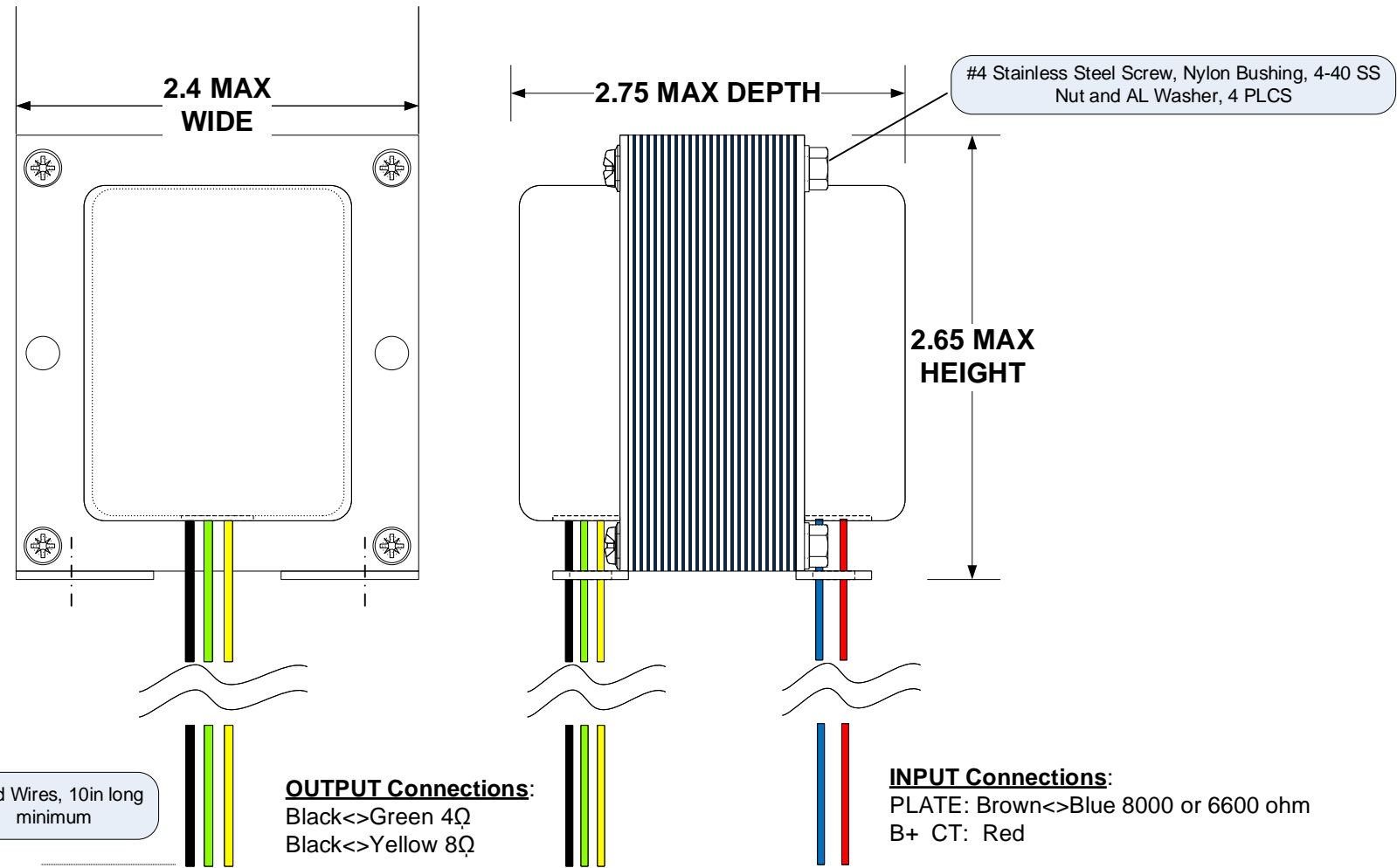
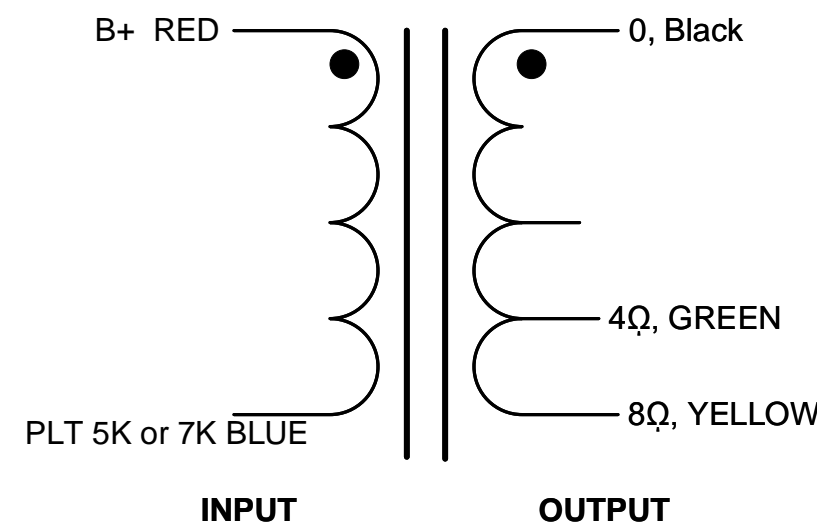


# OT10SE-HF-USA HiFi Output Transformer - SINGLE ENDED



## Transformer Schematic OT10SE-HF-5K-USA or OT10SE-HF-7K-USA



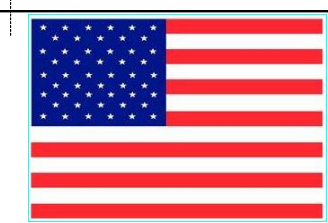
### CONSTRUCTION DETAILS-

Laminations: 29M6 x EI-87  
 Bobbin: EI-87 7/8 x 1.25" window, Nylon Glass Reinforced UL94V-0  
 Magnet Wire: MW80 155C or higher  
 Varnish- Class B 130C  
 Tapes: 3M #56 (inner) & #79 (outer wrap)  
 Covers: Bahr's USA 22GA Zinc Plated, VC-87  
 Hardware: Non-Magnetic

### PERFORMANCE

Operating Voltage 450Vdc Maximum  
 Output Power: 20VA Maximum  
 Designed Operating Frequency (+/-1dB): 40 to 20000 Hz  
 Windings- 5 section interleave with parallel perfect layer output windings  
 HiPot Test Ratings 1000Vac minimum  
 Input Impedances: **OT10SE-HF-5K** (5000Ω) & **OT10SE-HF-7k** (7000Ω)  
 Output Impedances: **4Ω** and **8Ω**

Application: 5W to 12W Single-Ended Amplifiers EL84 or 6V6



## OT10SE-HF-USA in VC-87 Covers

7/17/2020	SIZE B	FSCM NO	DWG NO OT10SE HF USA VC87	REV A
M.P.S.	SCALE 1 : 1	SHEET		Page 1 1 OF 1