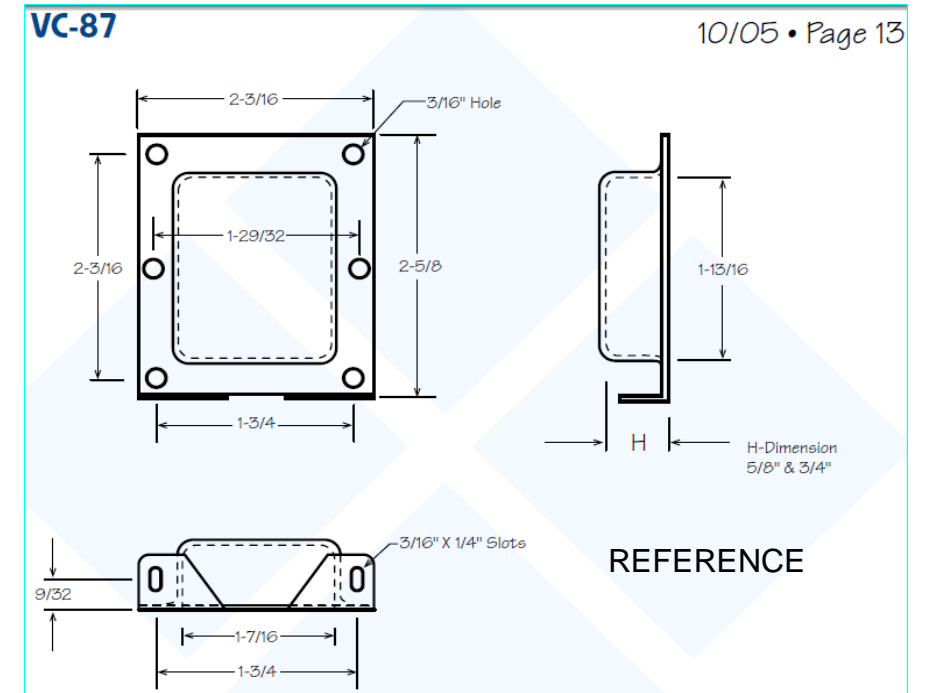
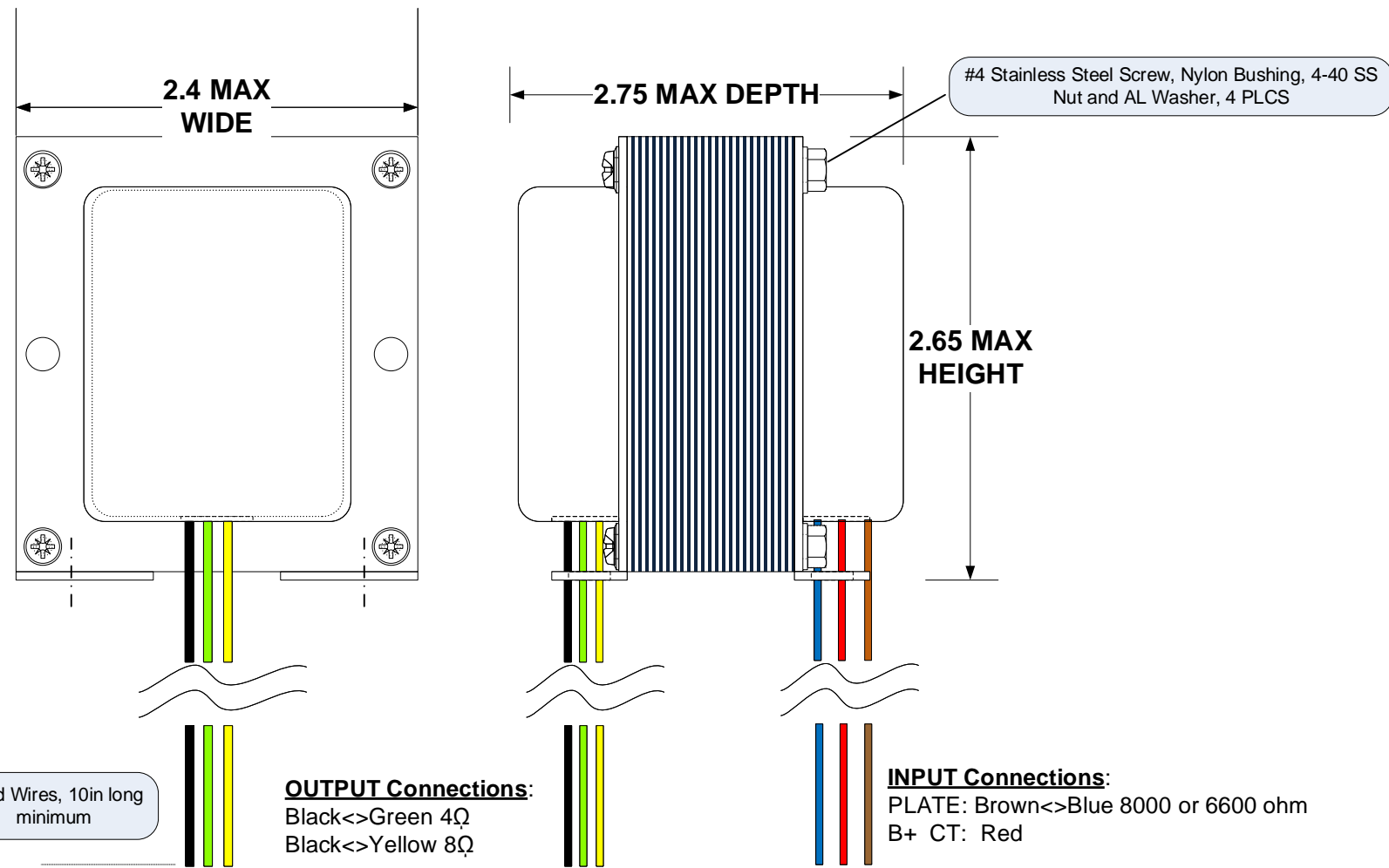


# OT20PP-HF-USA HiFi Output Transformer - Push Pull



## CONSTRUCTION DETAILS-

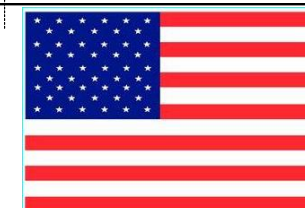
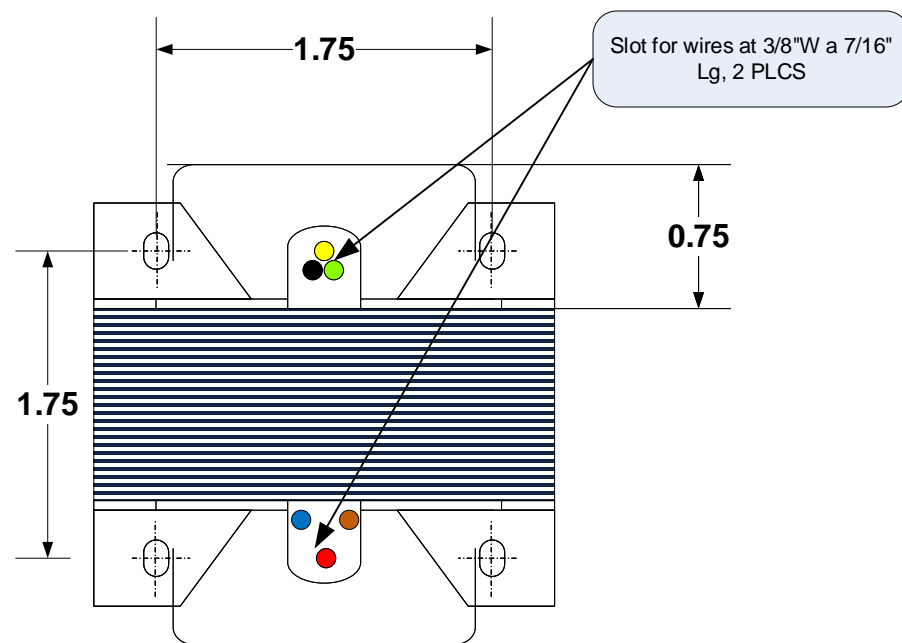
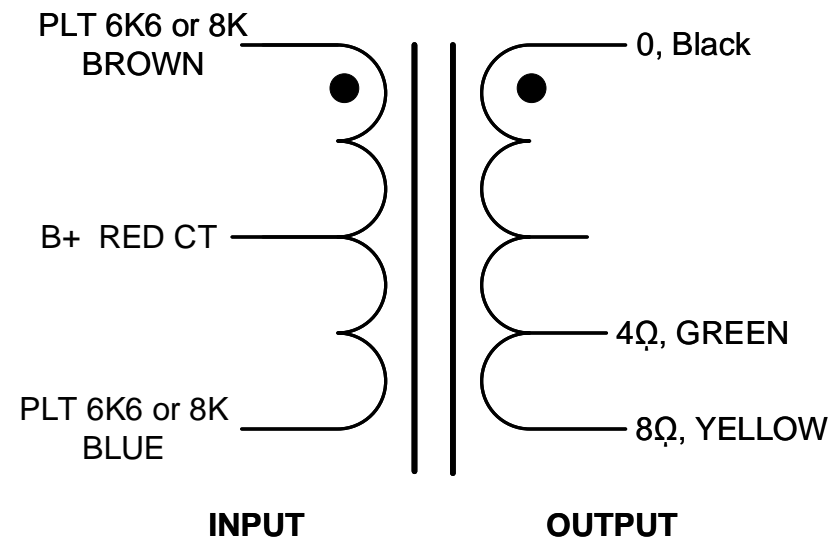
Laminations: 29M6 x EI-87  
 Bobbin: EI-87 7/8 x 1.25" window, Nylon Glass Reinforced UL94V-0  
 Magnet Wire: MW80 155C or higher  
 Varnish- Class B 130C  
 Tapes: 3M #56 (inner) & #79 (outer wrap)  
 Covers: Bahr's USA 22GA Zinc Plated, VC-87  
 Hardware: Non-Magnetic

## PERFORMANCE

Operating Voltage 450Vdc Maximum  
 Output Power: 20VA Maximum  
 Designed Operating Frequency (+/-1dB): 30 to 20000 Hz  
 Windings- 5 section interleave with parallel perfect layer output windings  
 HiPot Test Ratings 1000Vac minimum  
 Input Impedances: **OT20PP-HF-6k6** (6600Ω) & **OT20PP-HF-8k** (8000Ω)  
 Output Impedances: **4Ω** and **8Ω**

Application: 10W to 20W Push-Pull Amplifiers EL84 or 6V6

## Transformer Schematic OT20PP-HF-6K6-USA or OT20PP-HF-8K



## OT20PP-HF-USA in VC-87 Covers

7/17/2020	SIZE B	FSCM NO	DWG NO OT20PP HF USA VC87	REV A
M.P.S.	SCALE	1 : 1	SHEET	Page 1 1 OF 1