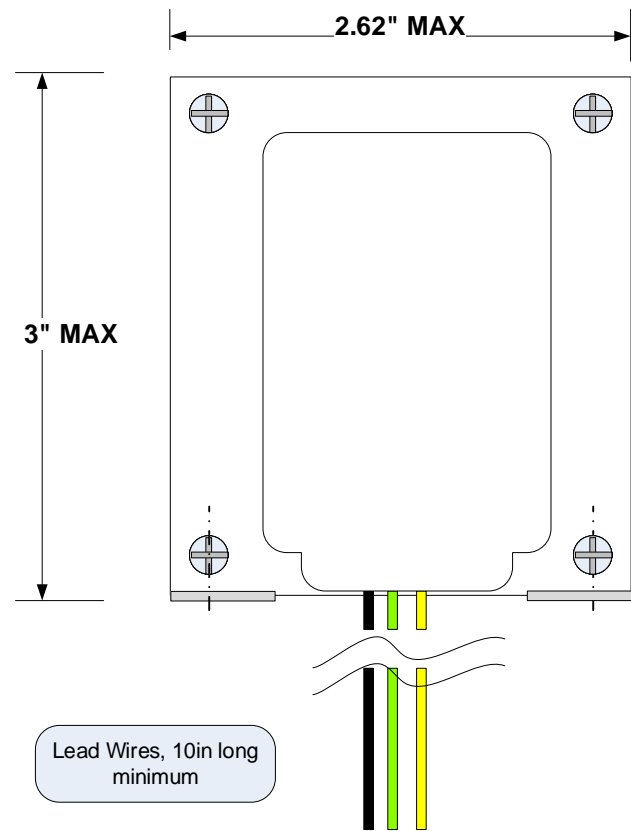
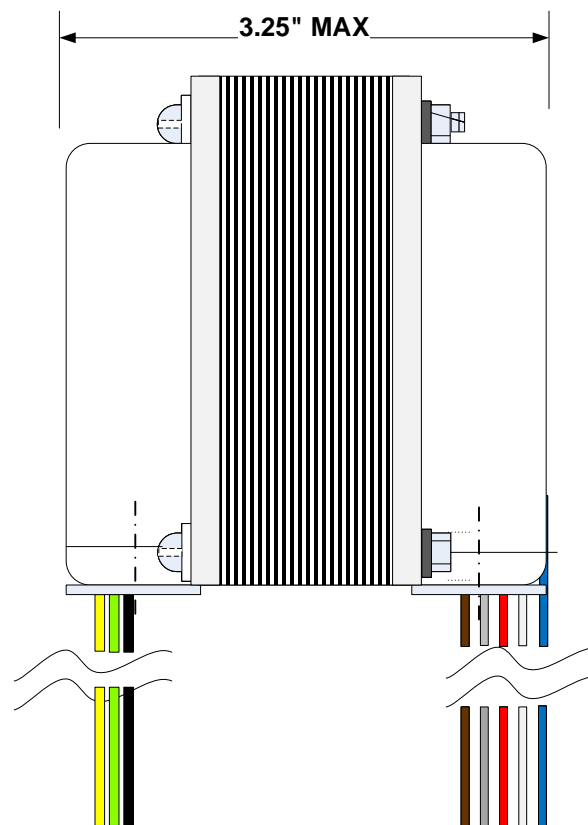


OT19PP-DYN35

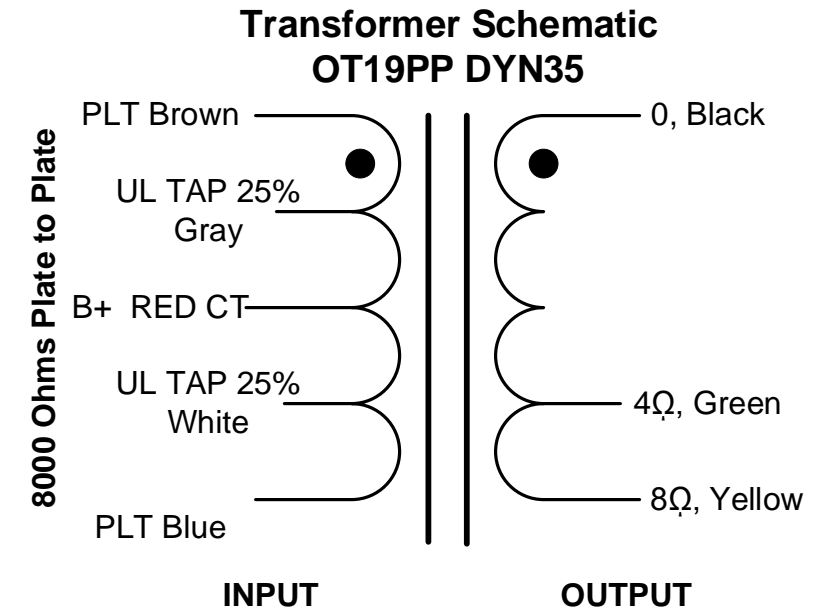
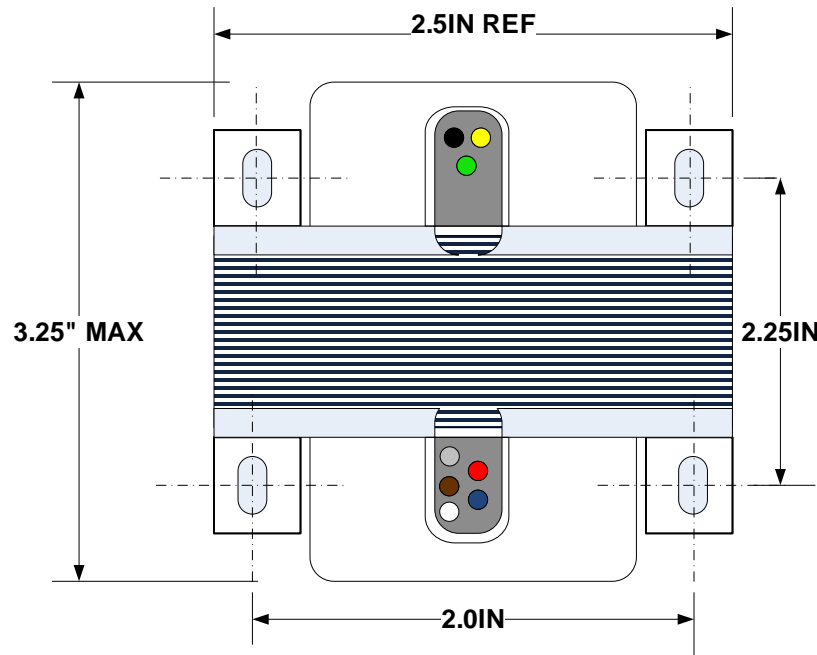


Lead Wires, 10in long minimum

OUTPUT Connections:
 Black<->Green 4Ω
 Black<->Yellow 8Ω



INPUT CONNECTIONS:
 BRN<->BLU 8000 Ω P-P
 GRY & WHT 25% UL Screen Taps
 RED is Center Tap

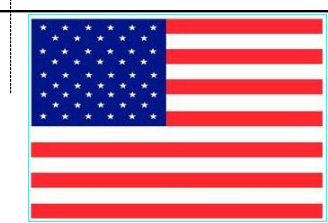


CONSTRUCTION DETAILS-

Laminations: 29M6 x EI-100
 Bobbin: EI-100 1 x 1.56 in stack, Nylon Glass Reinforced UL94V-0
 Winding: 5 layer interleave, 3X perfect layer output windings
 Magnet Wire: MW80 155C or higher
 Varnish- Class B 130C
 Tapes: 3M #56 (inner) & 3M #20 (outer wrap)
 End Bells: Bahr's USA FM-100 End Bells
 Weight: 3.7 Lbs

PERFORMANCE

Operating Voltage 500Vdc Maximum
 Output Power: 25VA Maximum
 Designed Operating Frequency (+/-1dB): 30 to 20000 Hz
 HiPot Test Ratings 1000Vac minimum
 Input Impedances Plate to Plate: 8000 Ohms
 25% UL Screen Taps
 Output Impedances: 4 and 8 Ohms
 Application: 15W- 20W Push-Pull Amplifiers such as Dynaco 35



OT19PP-DYN35

7/17/2020	SIZE B	FSCM NO	DWG NO OT19PP-DYN35 USA FM100	REV D
M.P.S.	SCALE	1 : 1	SHEET	Page 1 1 OF 1