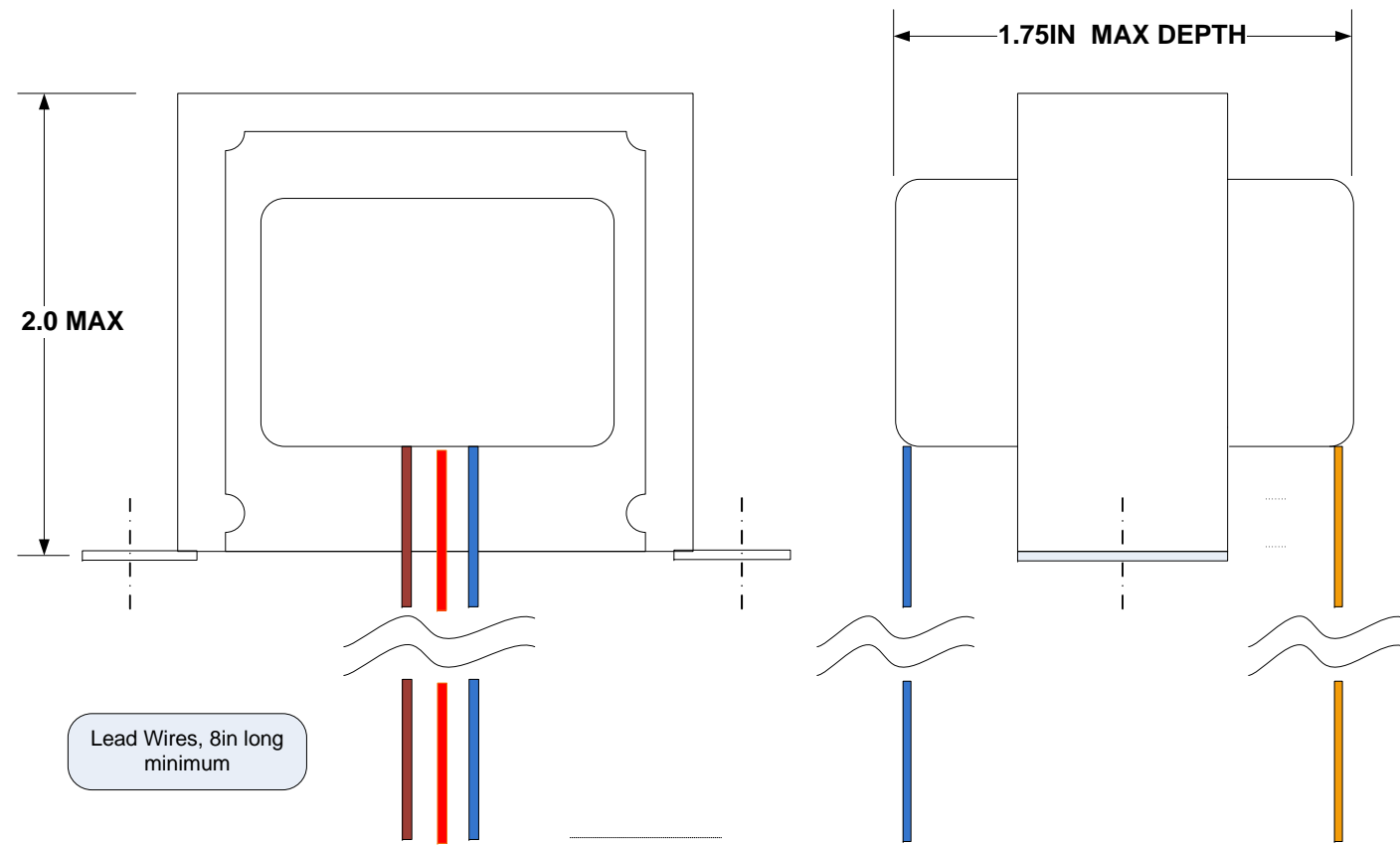
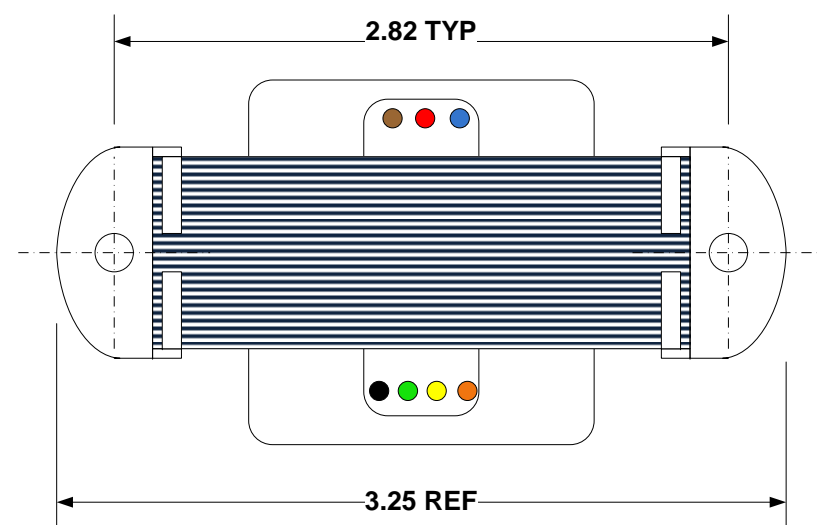


OT5PP+ (USA)

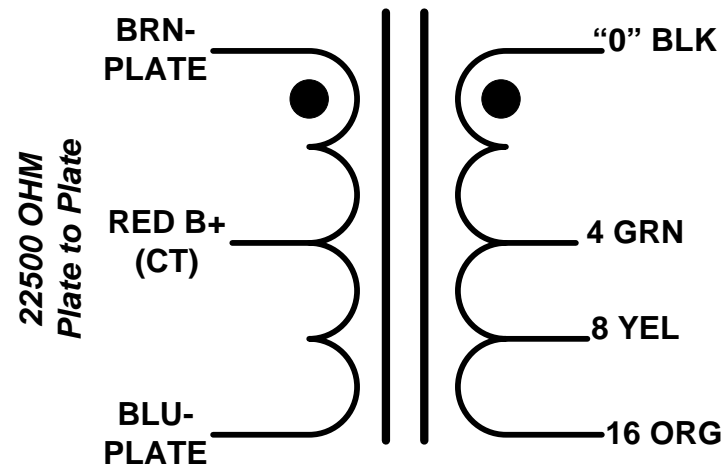


Lead Wires, 8in long minimum

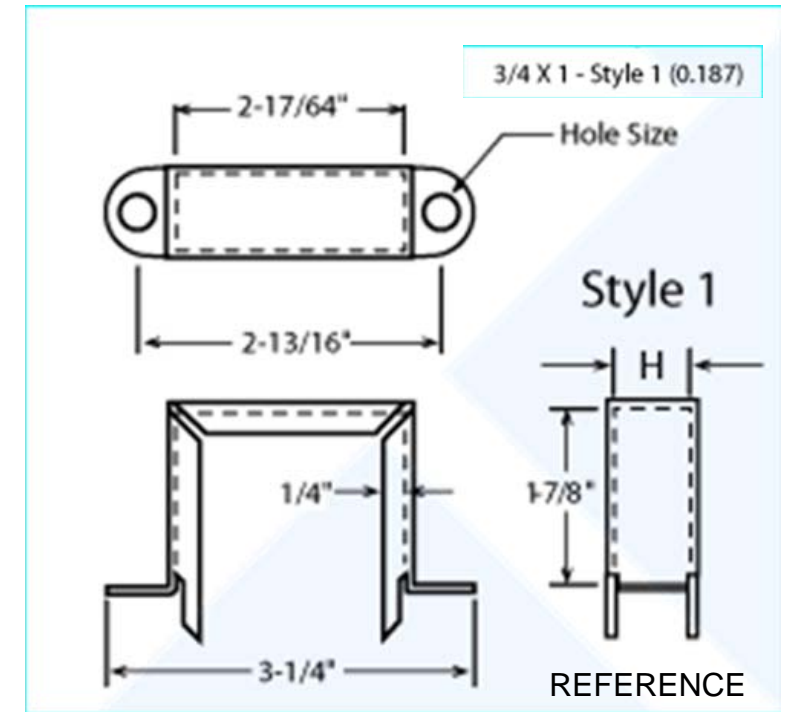
INPUT CONNECTIONS:
BRN-RED-BLU 22AWG



SCHEMATIC OT5PP+ (USA)



40 Henries Minimum
@1VAc 100Hz



CONSTRUCTION DETAILS-

Laminations: 29M6 x EI-75 x 1 IN STACK
 Bobbin: EI-75 3/4 x 1 window, Nylon Glass Reinforced UL94V-0
 Magnet Wire: MW80 155C or higher
 Varnish- Class B 130C
 Tapes: 3M #56 (inner) & #79 (outer wrap)
 Covers: Bahr's USA ETC, 3/4 x 1 Frame and Shield, Fully Shielded Construction
 With SH200 x 17/32DP EI75 coil covers in Tin Electroplate

PERFORMANCE

Operating Voltage 500Vac Maximum
 HiPot Test Ratings 1000Vac minimum
 Input Inductance: 40H Minimum at 100HZ 1Vac

Application: 0.5 to 5W Push-Pull Amplifiers



OT5PP+ USA

8/28/2014	SIZE B	FSCM NO	DWG NO OT5PP+	REV A
M.P.S.	SCALE 1:1		SHEET	Page 1 1 OF 1