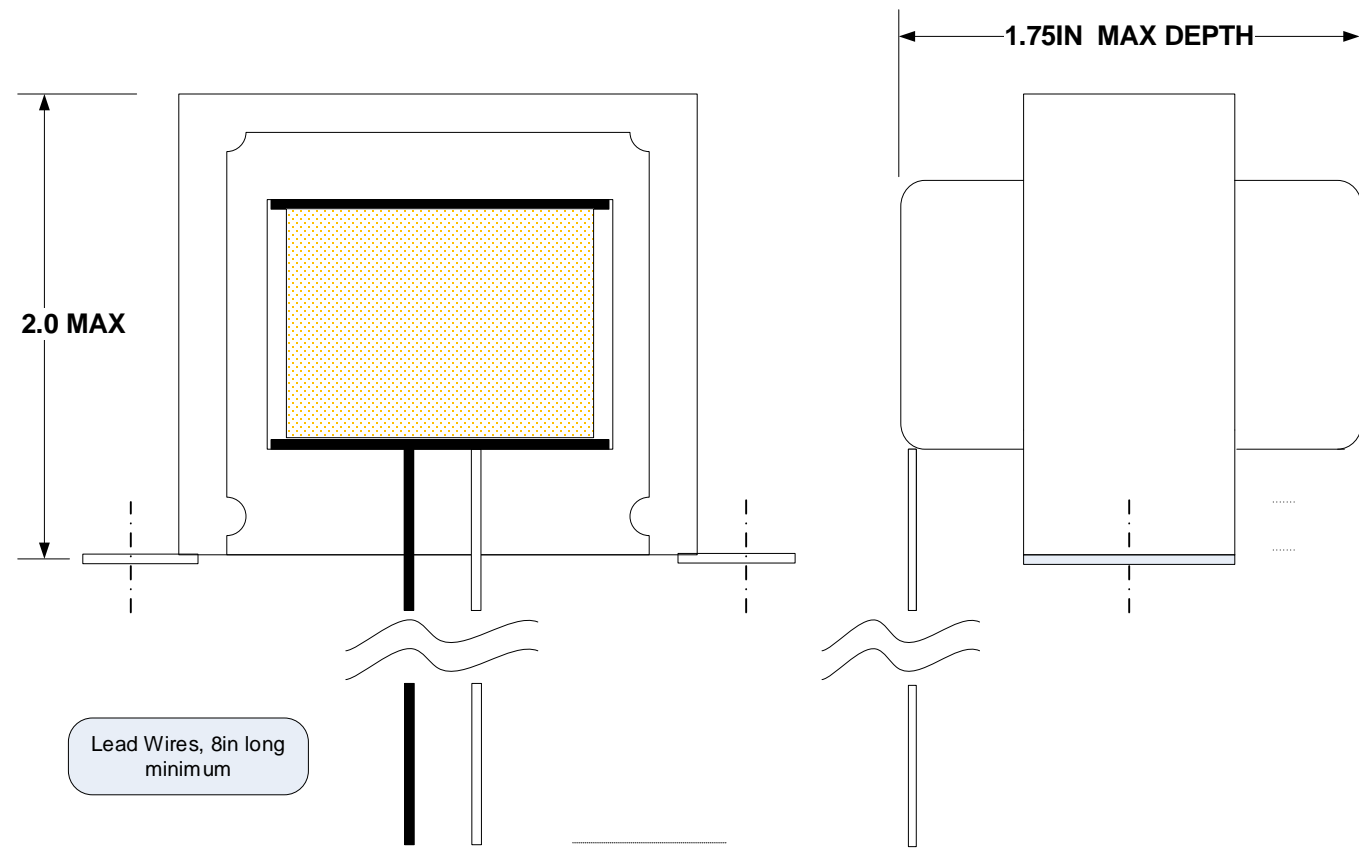
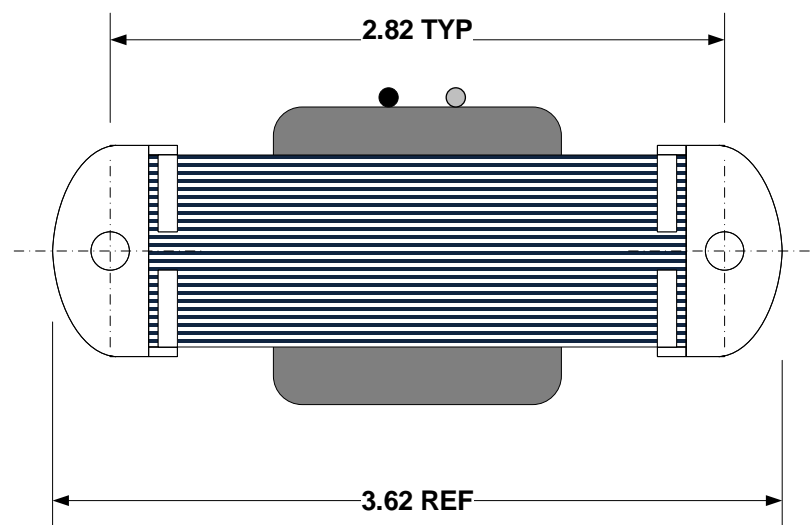


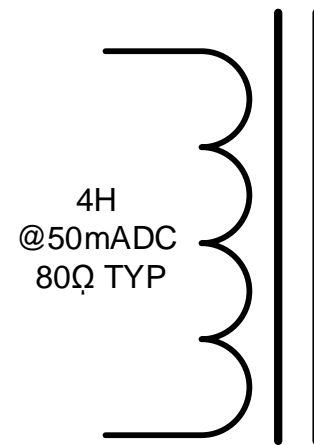
L4M50 Standard



INPUT CONNECTIONS:
BLK - WHT

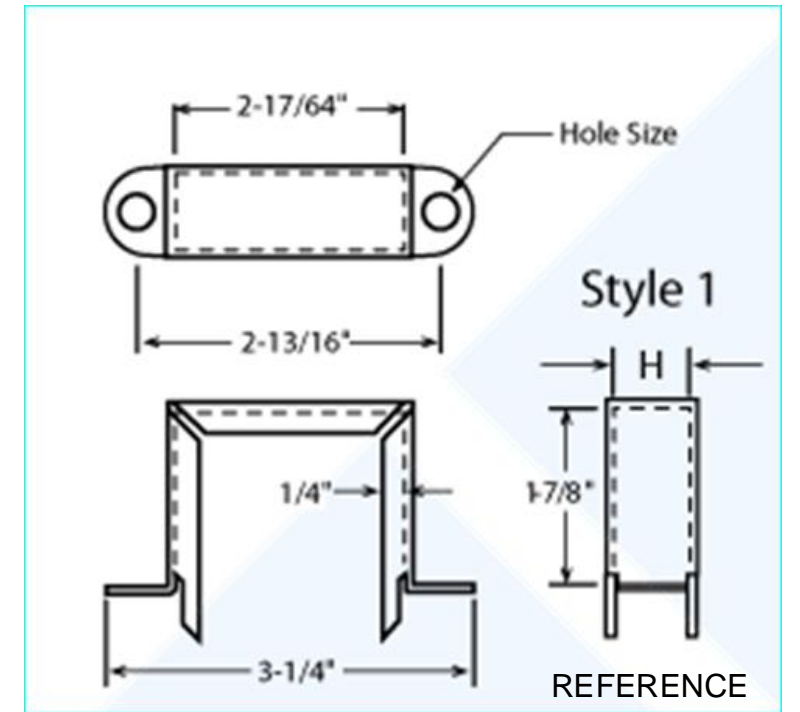


SCHEMATIC L4M50



4H
@50mADC
80Ω TYP

INPUT



CONSTRUCTION DETAILS-

Laminations: 29M6 x EI-75
 Bobbin: EI-75 SQ window, Rynite UL94V-0
 Magnet Wire: MW80 155C or higher
 Varnish- Class B 130C
 Tapes: 3M #56 (inner) & #79 (outer wrap)
 Covers: Bahr's USA ETC, EI75 Frame and Shield, Fully Shielded Construction

PERFORMANCE

Operating Voltage 500Vac Maximum
 HiPot Test Ratings 1000Vac minimum
 Input Inductance: 5H @NLC - 4H @50mA Typical
 Application: 5 to 25W Push-Pull Amplifiers for Power Supply Filtering



L4M50 STD

12/16/2020	SIZE B	FSCM NO	DWG NO L4M50 STD	REV A
M.P.S.	SCALE	1 : 1	SHEET	Page 1 1 OF 1