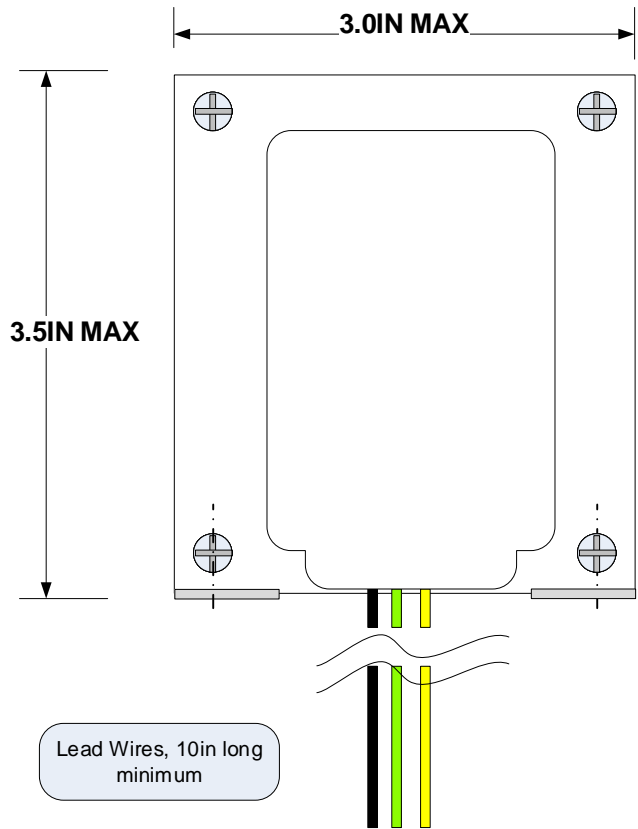
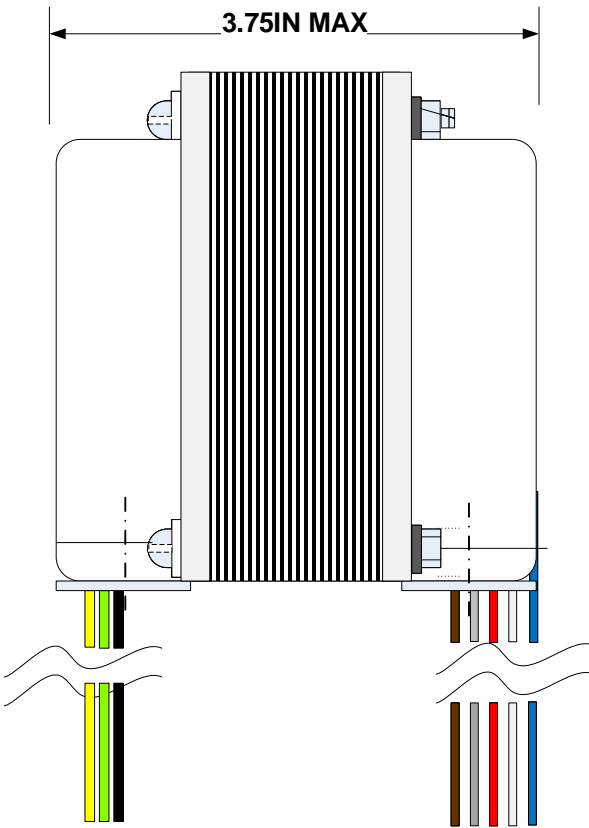


# OT22PP-DYN-USA

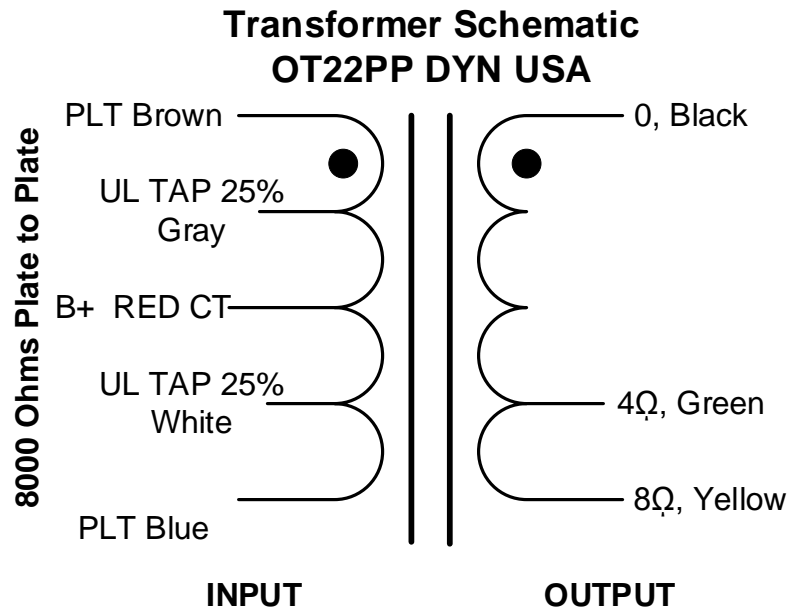
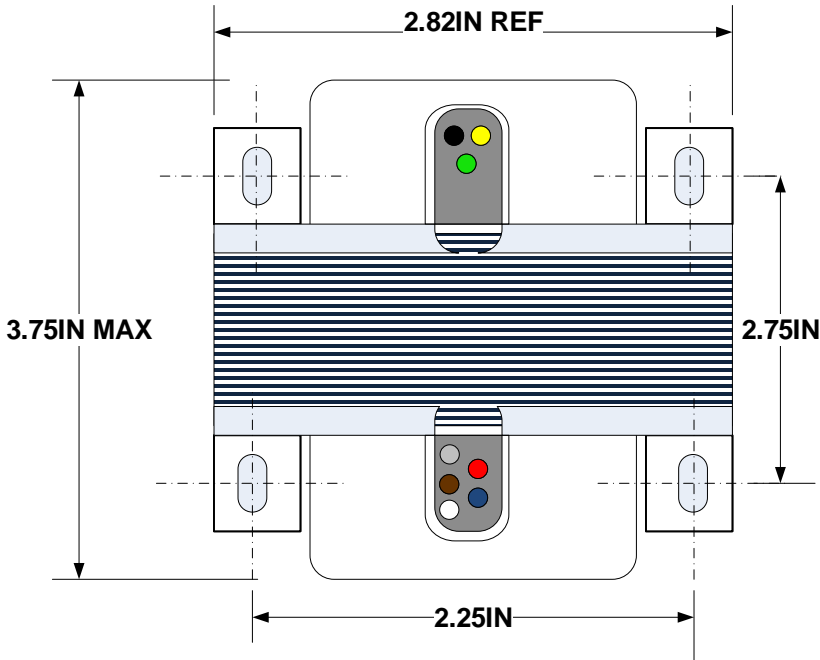


Lead Wires, 10in long minimum

**OUTPUT Connections:**  
 Black ↔ Green 4Ω  
 Black ↔ Yellow 8Ω



**INPUT CONNECTIONS:**  
 BRN ↔ BLU 8000 Ω P-P  
 GRY & WHT 25% UL Screen Taps  
 RED is Center Tap

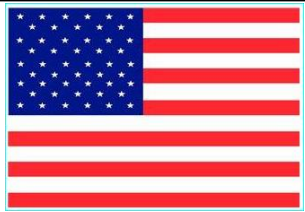


**CONSTRUCTION DETAILS-**

Laminations: 29M6 x EI-1-1/8  
 Bobbin: EI-112 1.12 x 1.6 in stack, Nylon Glass Reinforced UL94V-0  
 Winding: 5 layer interleave, 3X perfect layer output windings  
 Magnet Wire: MW80 155C or higher  
 Varnish- Class B 130C  
 Tapes: 3M #56 (inner) & 3M #20 (outer wrap)  
 End Bells: Bahr's USA FM-200 End Bells  
 Weight: 4.6 Lbs

**PERFORMANCE**

Operating Voltage 500Vdc Maximum  
 Output Power: 30VA Maximum  
 Designed Operating Frequency (+/-1dB): 30 to 20000 Hz  
 HiPot Test Ratings 1000Vac minimum  
 Input Impedances Plate to Plate: 8000 Ohms  
 25% UL Screen Taps  
 Output Impedances: 4 and 8 Ohms  
 Application: 15W- 30W Push-Pull Amplifiers such as Dynaco 35



**OT22PP-DYN-USA**

12/16/2020	SIZE B	FSCM NO	DWG NO OT22PP-DYN-USA	REV D
M.P.S.	SCALE	1 : 1	SHEET	<b>Page 1</b> 1 OF 1