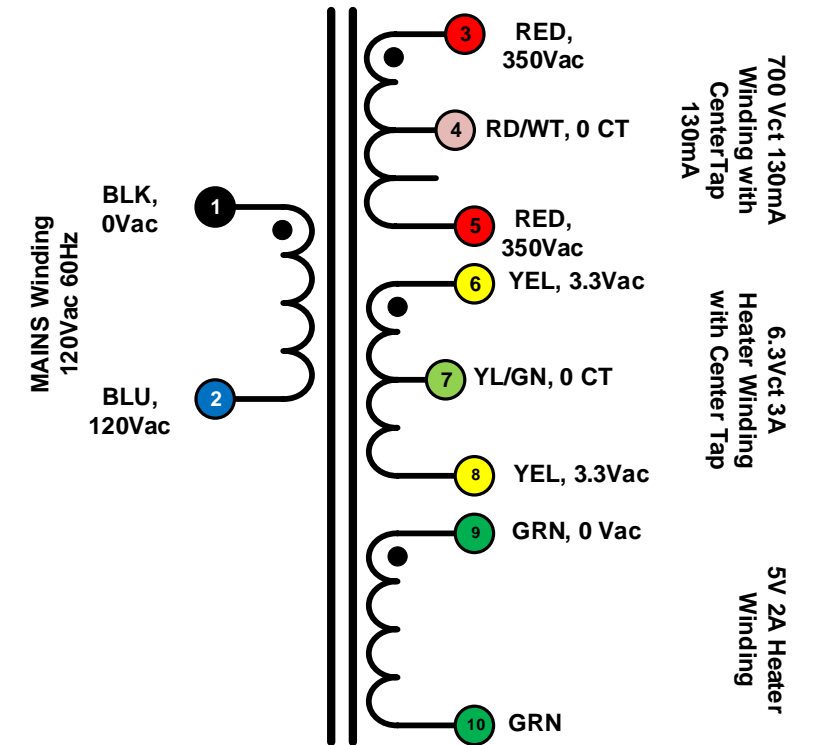


PT350M-TWD-USA TRANSFORMER SCHEMATIC
700Vac Center-Tapped 130mA



Design Notes- PT350M-TWD-USA

Electrical Connections:
 BLACK-BLUE: 120Vac input
 RED-R/W-RED- 350-0-350Vac 130mA
 YEL-YELw/GN(CT)-YEL 3.3-0-3.3Vac @3A
 GRN-GRN 5Vac @2A



Details:
 29M6 Lamination EI-112 in 1.6in stack
 Nyglass Bobbin 2-section UL94V-0 rated
 Class B Insulation system
 Shipping Weight 5.8 Lbs

Standard Covers- 2 x BAHRS (USA) FM200, Bright Zinc Plated
 Standard Hardware- 4 x #6 x 2in SS Screws, 4 x #6 Alum Washer,
 4 x #6 close nut, 4 x Nylon #6 spacer
 Lead Wires- UL 600V rated 20AWG (18AWG for 6.3-0-6.3 Heater)

700Vac center-tapped power transformer @130mA.
 Typical Application – Tweed Deluxe style amplifier