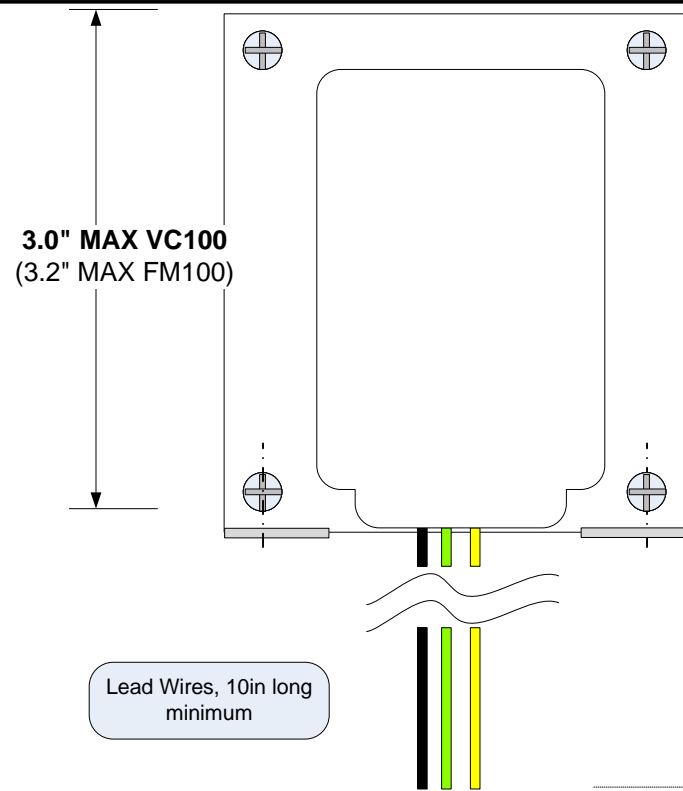
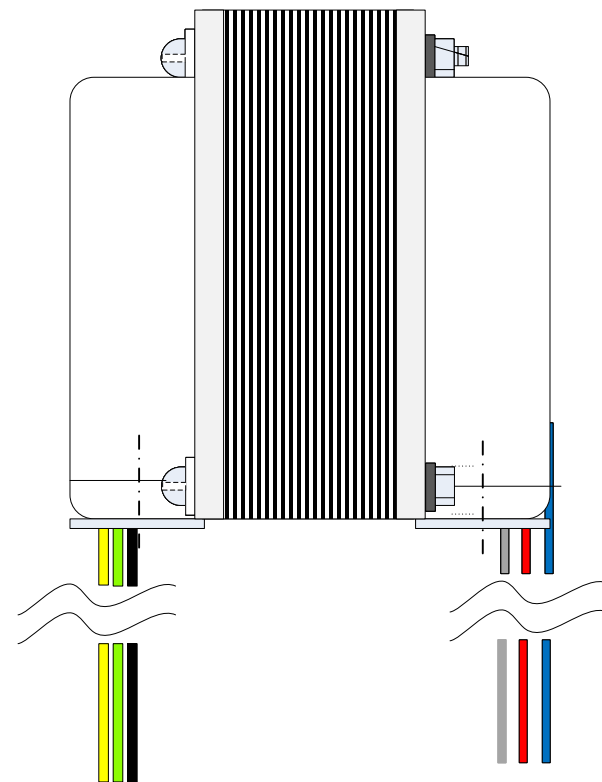


# OT-12SE-HF-XX Transformer

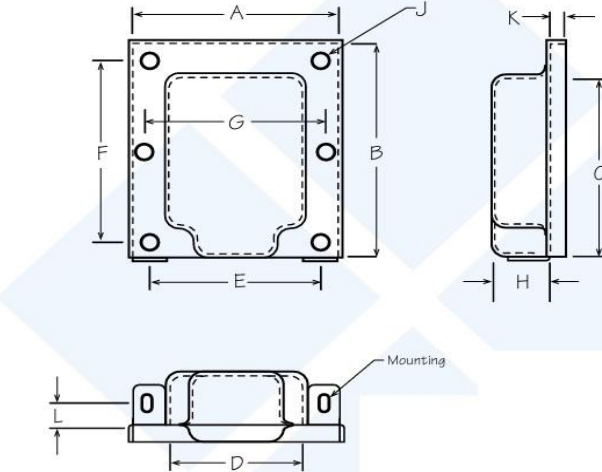


OUTPUT Connections:  
Black<->Green 4Ω  
Black<->Yellow 8Ω

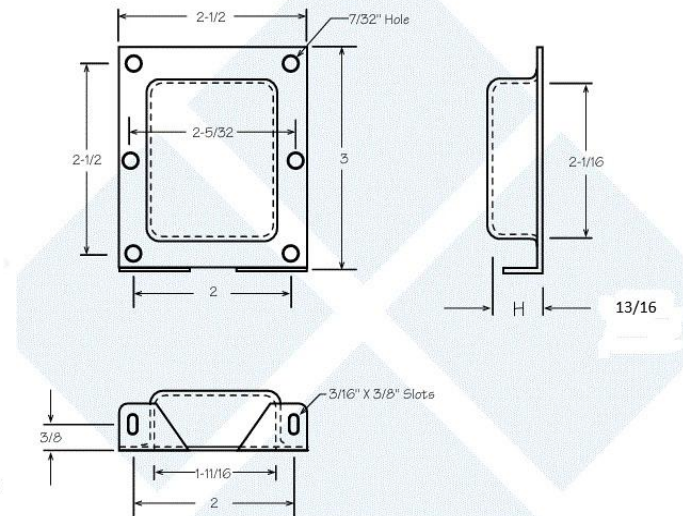


INPUT CONNECTIONS:  
RED<->BLU 3K5 or 5K ohm  
GRY UL Tap (% wrt B+) Optional

FM100 End Bell

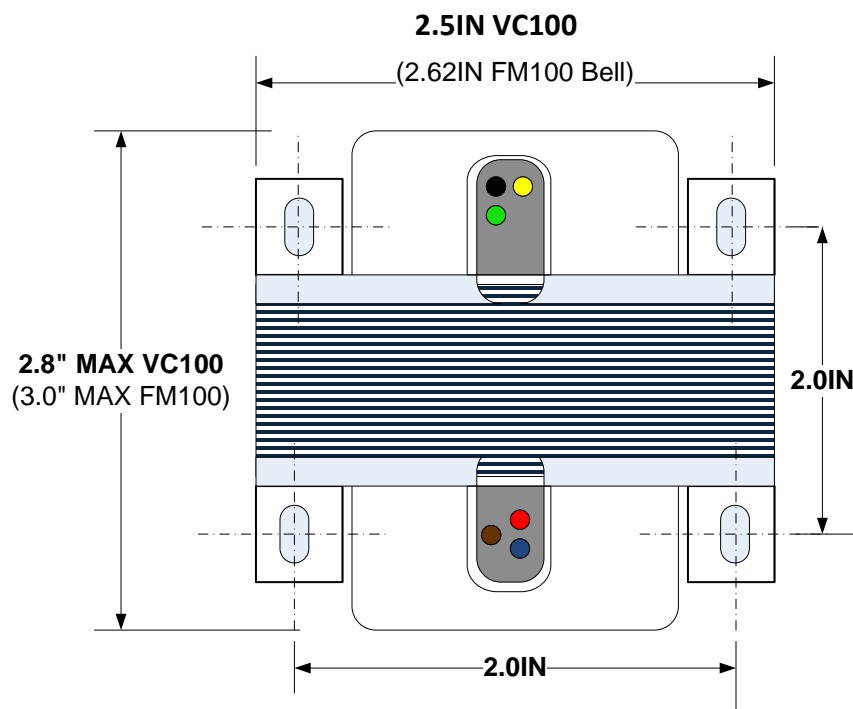


VC-100

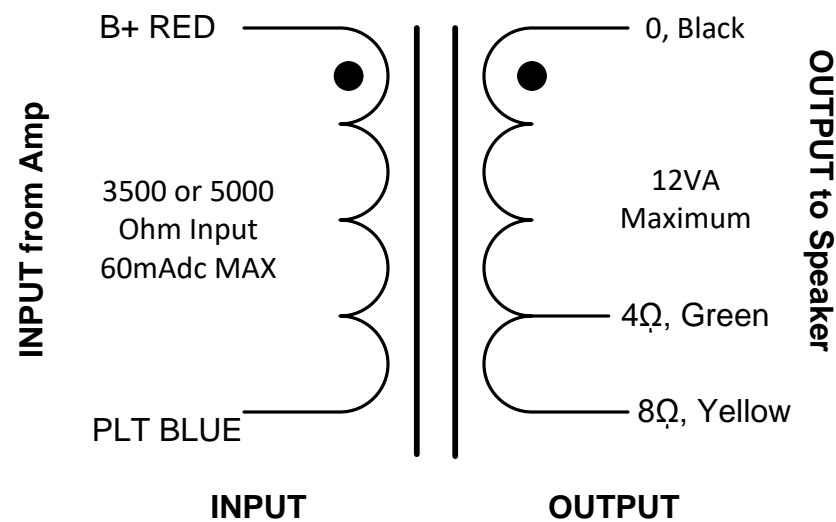


GENERAL DIMENSIONS

| Part # | Size | A       | B      | C     | D       | E | F     | G      | H     | J    | K    | L     | Ga |
|--------|------|---------|--------|-------|---------|---|-------|--------|-------|------|------|-------|----|
| FM-100 | 1    | 2-17/32 | 3-1/32 | 2-5/8 | 1-11/16 | 2 | 2-1/2 | 2-5/32 | 13/16 | 7/32 | 3/16 | 11/32 | 22 |



Transformer Schematic  
OT12SE-HF-3K5 or 5K

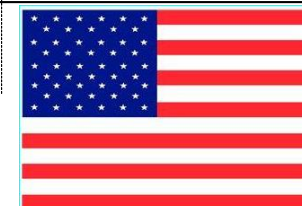


CONSTRUCTION DETAILS-

Laminations: 29M6 x EI-100  
Bobbin: EI-100 1 x 1.25 stack, Nylon Glass Reinforced UL94V-0  
Winding: 5 layer interleave, 3X perfect layer output windings  
Magnet Wire: MW80 155C or higher  
Laminations: 29M6 Standard (Z11 Optional +15% improvement)  
Gapped for 60mAdc  
Varnish- Class B 130C  
Tapes: 3M #1350F (inner) & 3M #1350F (outer wrap)  
End Bells: VC100 Style Covers (FM100 style end bell optional)  
Weight: 2.8 Lbs

PERFORMANCE

Operating Voltage 600Vdc Maximum  
Output Power: 12VA Maximum  
Designed Operating Frequency (+/-1dB):  
-With 29M6 lams 35 to 20K Hz  
-With optional Z11 Lams 30 to 20KHz  
HiPot Test Ratings 1000Vac minimum  
Input Impedances B+ to Plate: 3500 or 5000 Ohms  
Output Impedances: 4 and 8 Ohms  
Application: 12W Single Ended HiFi amps



OT12SE-HF-3K5 or 5K

|         |       |         |              |                  |
|---------|-------|---------|--------------|------------------|
| 3/29/25 | SIZE  | FSCM NO | DWG NO       | REV              |
| M.P.S.  | B     |         | OT12SE-HF-XX | D                |
|         | SCALE |         | SHEET        | Page 1<br>1 OF 1 |