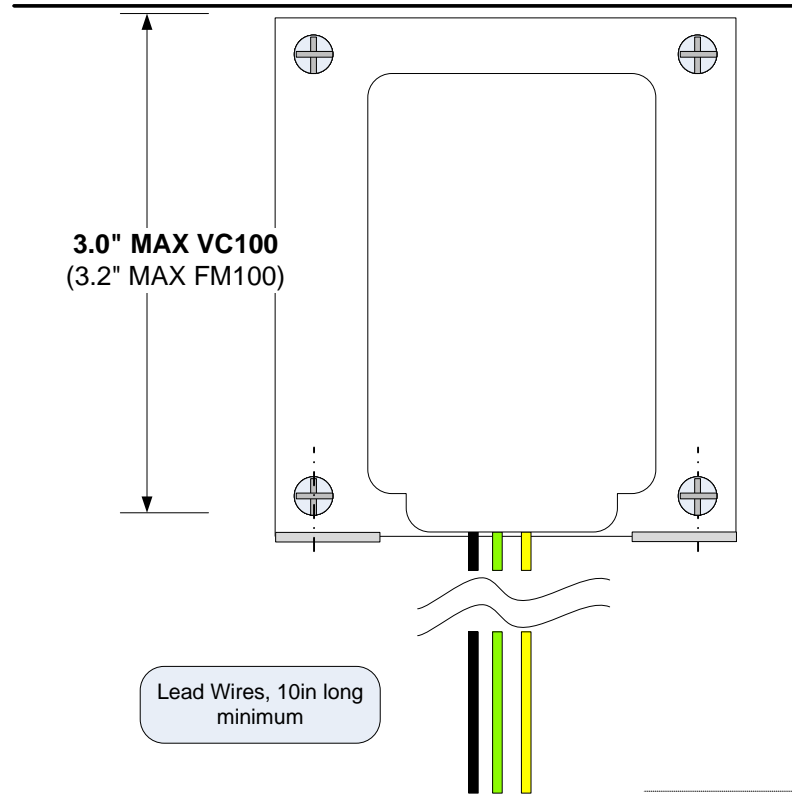
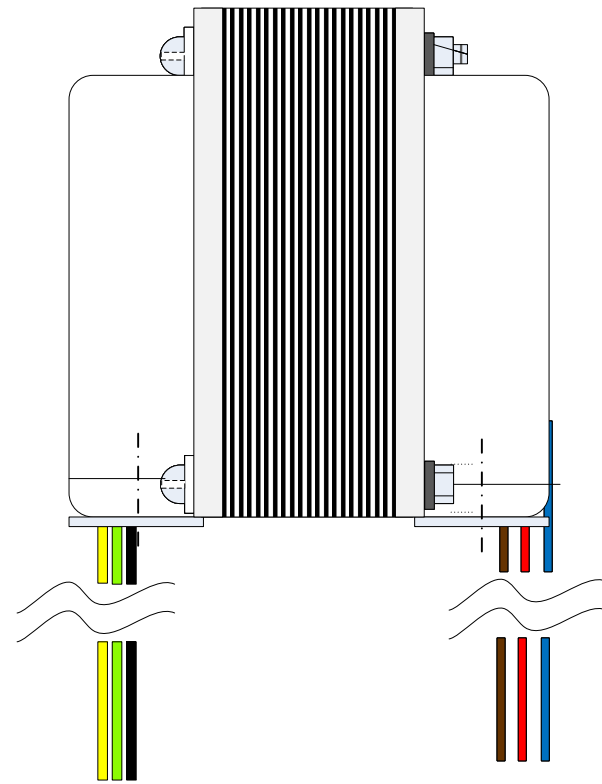


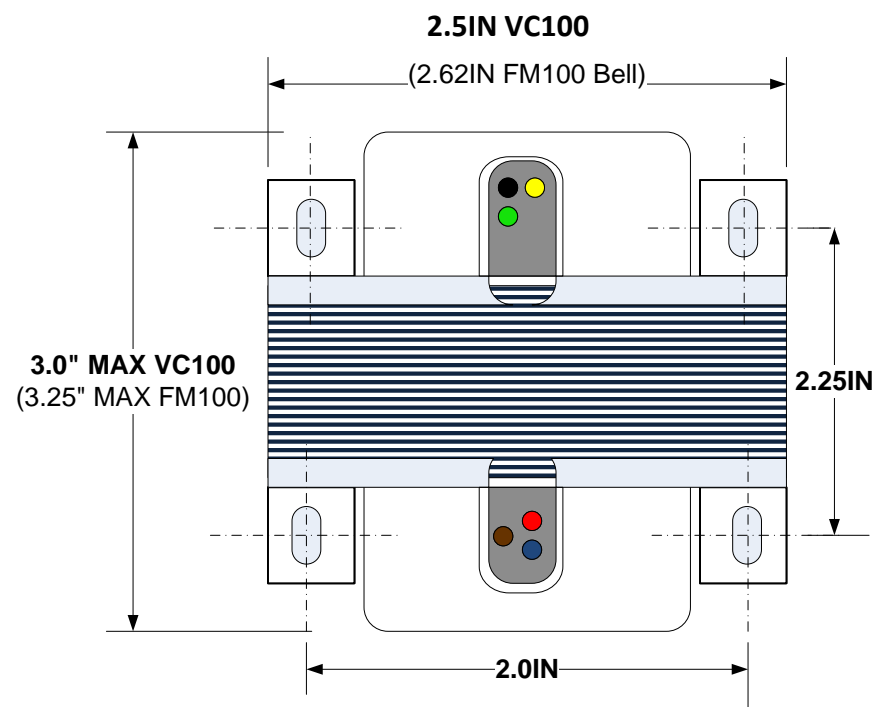
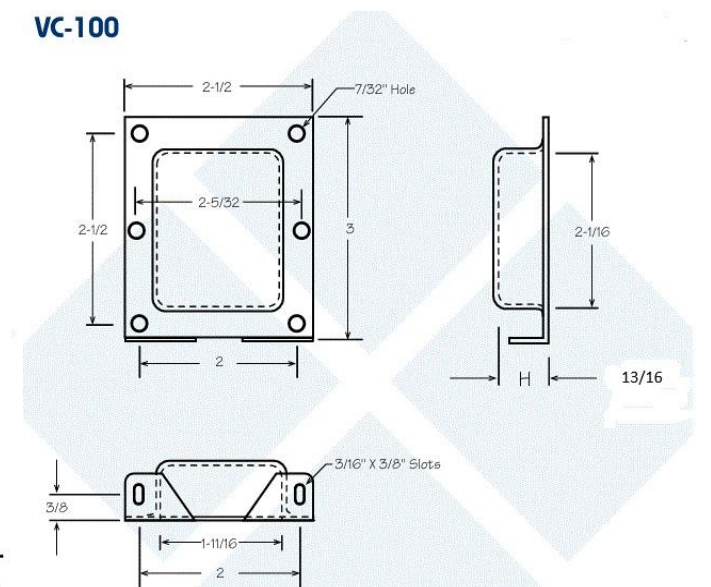
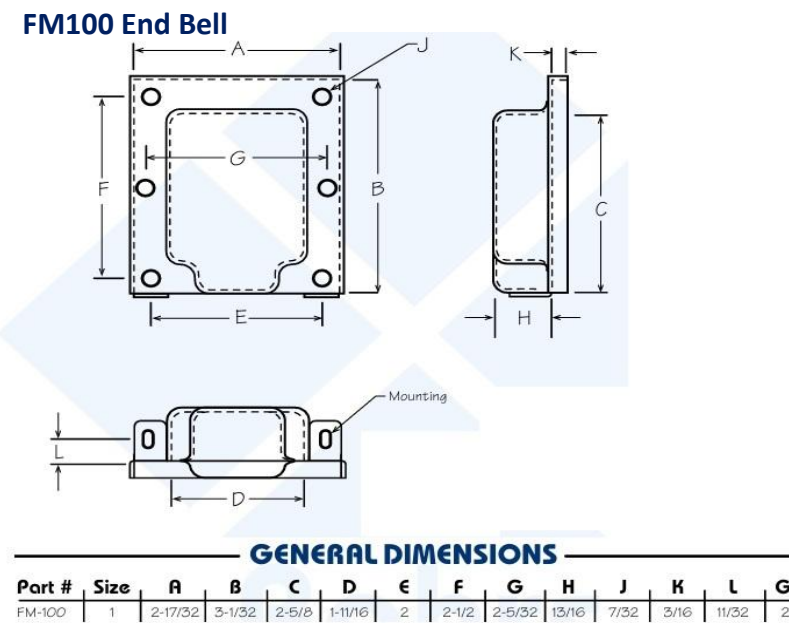
# OT-15SE-HF-XX Transformer



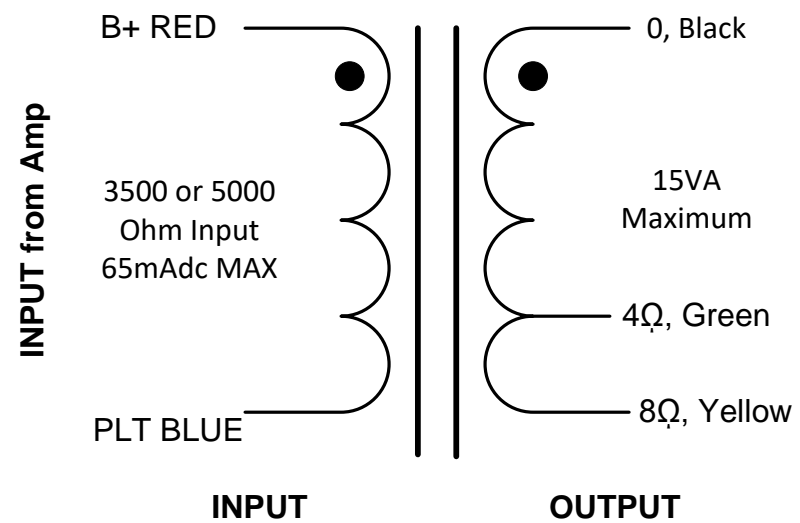
**OUTPUT Connections:**  
Black<->Green 4Ω  
Black<->Yellow



**INPUT CONNECTIONS:**  
RED<->BLU 3K5 or 5K ohm  
GRY: UL Tap (% wrt B+)Optional

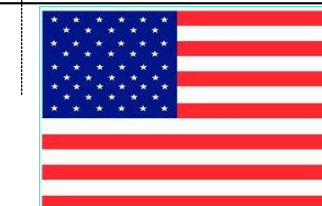


## Transformer Schematic OT15SE-HF-3K5 or 5K



**CONSTRUCTION DETAILS-**  
Laminations: 29M6 x EI-100  
Bobbin: EI-100 1 x 1.5 stack, Nylon Glass Reinforced UL94V-0  
Winding: 5 layer interleave, 3X perfect layer output windings  
Magnet Wire: MW80 155C or higher  
Laminations: 29M6 Standard (Z11 Optional +15% improvement)  
Gap Paper- for 15VA/65mAdc  
Varnish- Class B 130C  
Tapes: 3M #1350F (inner) & 3M #1350F (outer wrap)  
End Bells: VC100 Style Covers (FM100 style end bell optional)  
Weight: 3.3 Lbs

**PERFORMANCE**  
Operating Voltage 600Vdc Maximum  
Output Power: 15VA Maximum  
Designed Operating Frequency (+/-1dB):  
-With 29M6 lams 30 to 20K Hz  
-With optional Z11 Lams 25 to 20KHz  
HiPot Test Ratings 1000Vac minimum  
Input Impedances B+ to Plate: 3500 or 5000 Ohms  
Output Impedances: 4 and 8 Ohms  
*Application: 15W Single Ended HiFi amps*



OT15SE-HF-3K5 or 5K

3/29/25	SIZE B	FSCM NO	DWG NO OT15SE-HF-XX	REV D
M.P.S.	SCALE		SHEET	Page 1 1 OF 1