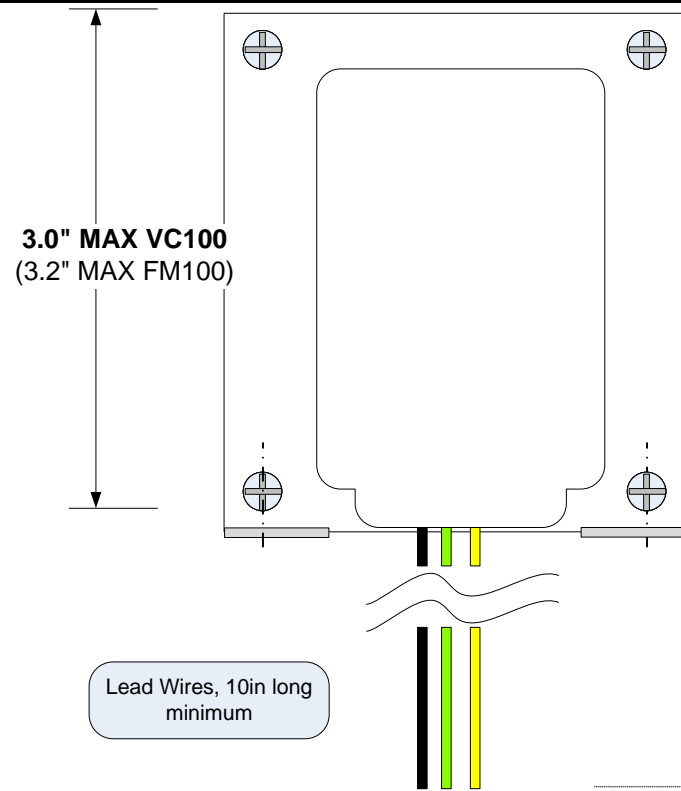
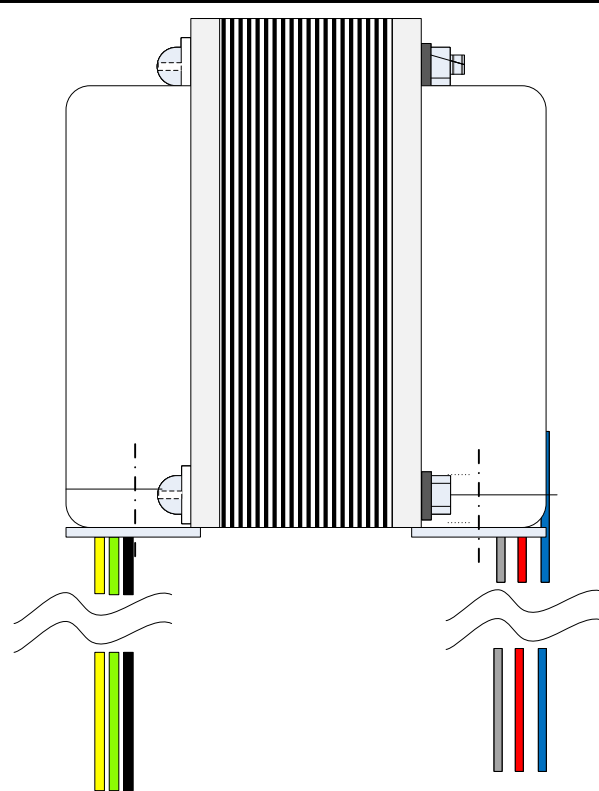


# OT-20SE-HF-XX Transformer

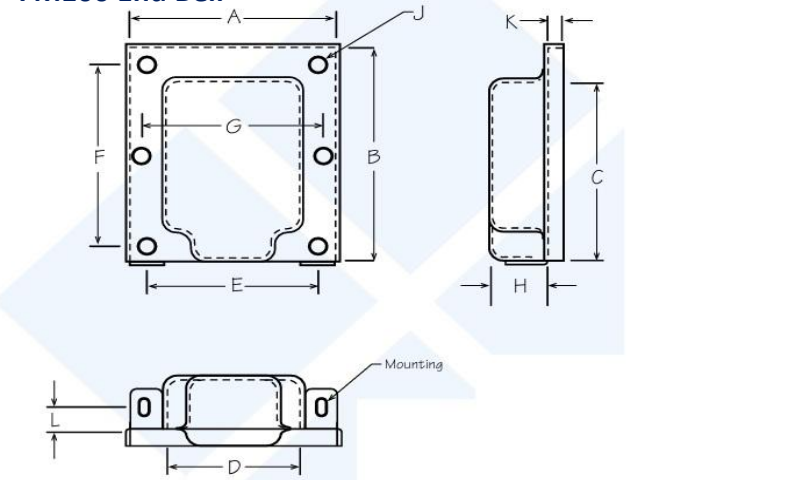


**OUTPUT Connections:**  
Black<->Green 4Ω  
Black<->Yellow 8Ω

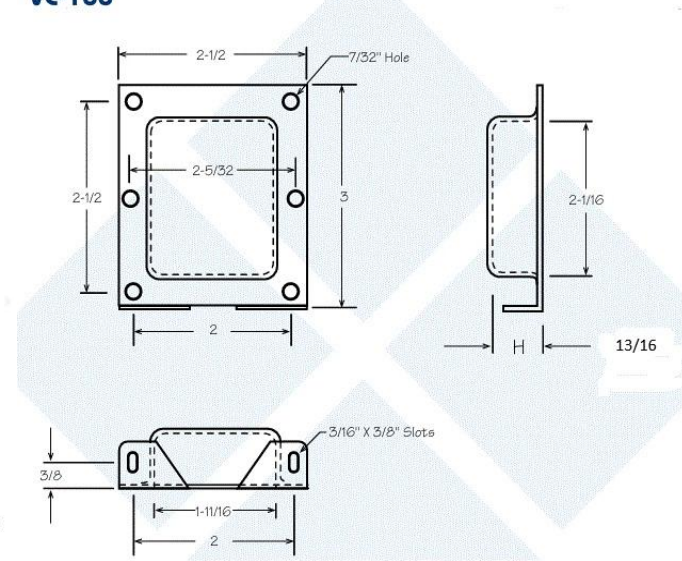


**INPUT CONNECTIONS:**  
RED<->BLU 2K5 or 3K5 ohm  
GRY UL Tap (% wrt B+) Optional

**FM100 End Bell**

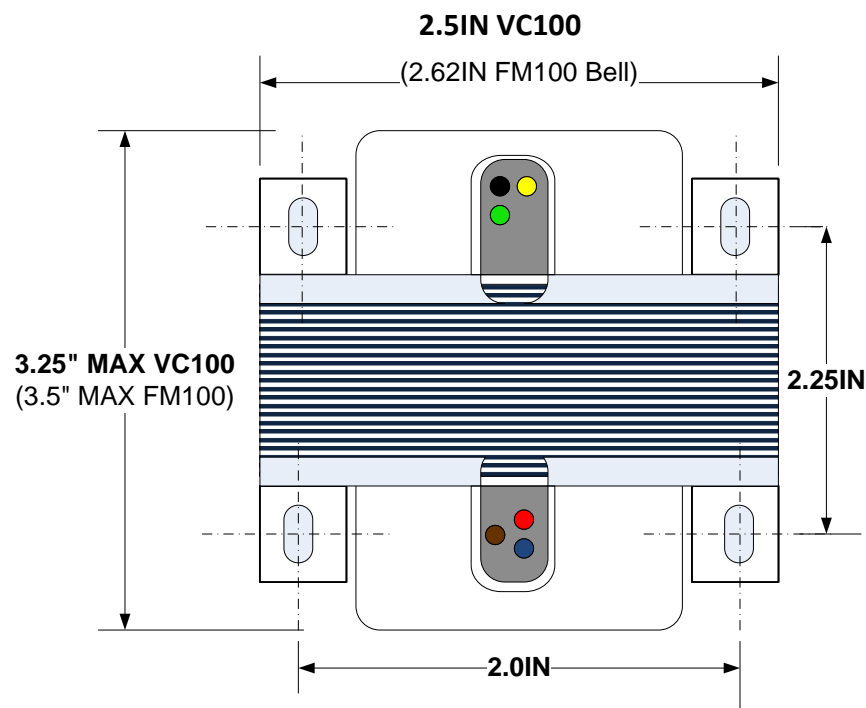


**VC-100**

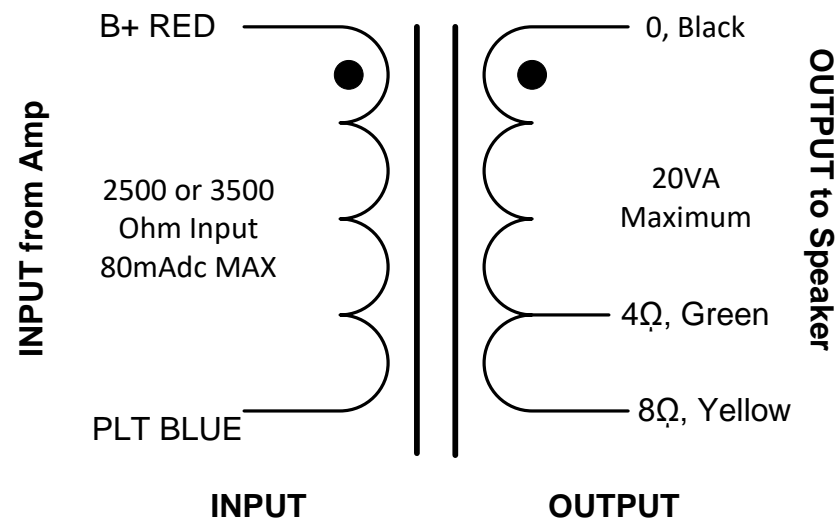


**GENERAL DIMENSIONS**

Part #	Size	A	B	C	D	E	F	G	H	J	K	L	Ga
FM-100	1	2-17/32	3-1/32	2-5/8	1-11/16	2	2-1/2	2-5/32	13/16	7/32	3/16	11/32	22



**Transformer Schematic**  
OT20SE-HF-2K5 or 3K5



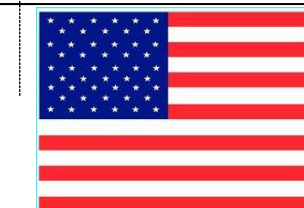
**CONSTRUCTION DETAILS-**

Laminations: 29M6 x EI-100  
Bobbin: EI-100 1 x 1.75 stack, Nylon Glass Reinforced UL94V-0  
Winding: 5 layer interleave, 3X perfect layer output windings  
Magnet Wire: MW80 155C or higher  
Laminations: 29M6 Standard (Z11 Optional +15% improvement)  
Gap Paper- for 20VA/80mAdc  
Varnish- Class B 130C  
Tapes: 3M #1350F (inner) & 3M #1350F (outer wrap)  
End Bells: VC100 Style Covers (FM100 style end bell optional)  
Weight: 4.0 Lbs

**PERFORMANCE**

Operating Voltage 600Vdc Maximum  
Output Power: 20VA Maximum  
Designed Operating Frequency (+/-1dB):  
-With 29M6 lams 30 to 20K Hz  
-With optional Z11 Lams 25 to 20KHz  
HiPot Test Ratings 1000Vac minimum  
Input Impedances B+ to Plate: 2500 or 3500 Ohms  
Output Impedances: 4 and 8 Ohms

Application: 20W Single Ended HiFi amps



**OT20SE-HF-2K5 or 3K5**

3/29/25	SIZE B	FSCM NO	DWG NO OT20SE-HF-2K5 or 3K5	REV D
M.P.S.	SCALE	SHEET	Page 1 1 OF 1	